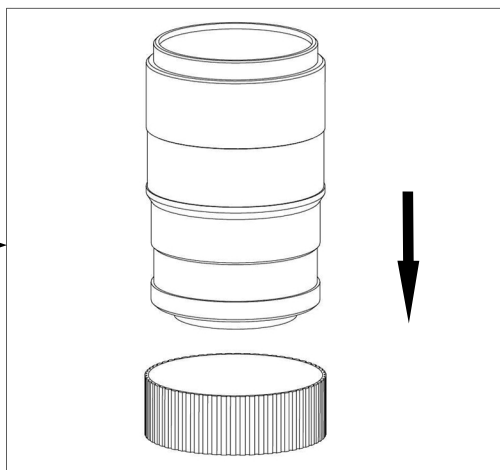
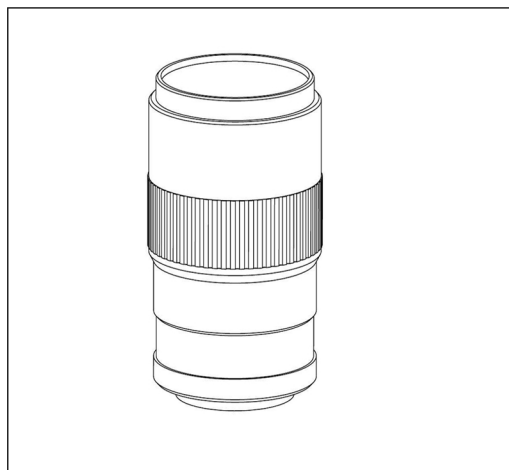


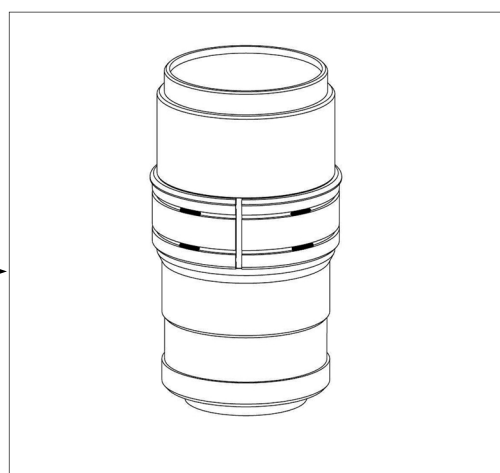
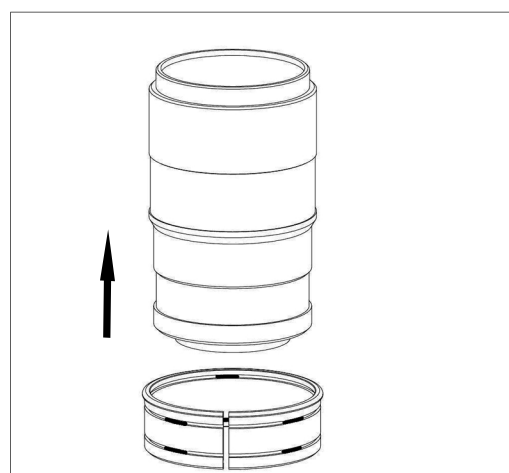
# C100IS-F (# 19523 )

Focus gear for Canon EF 100mm f/2.8L Macro IS USM

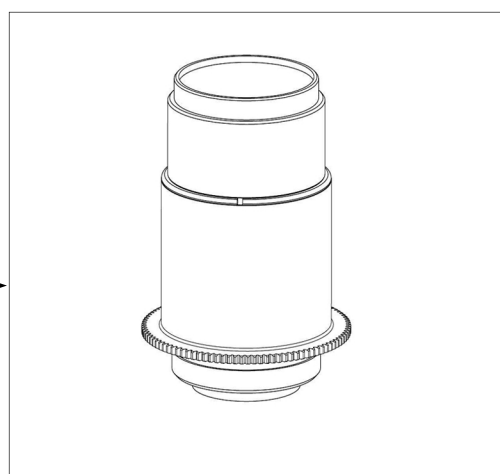
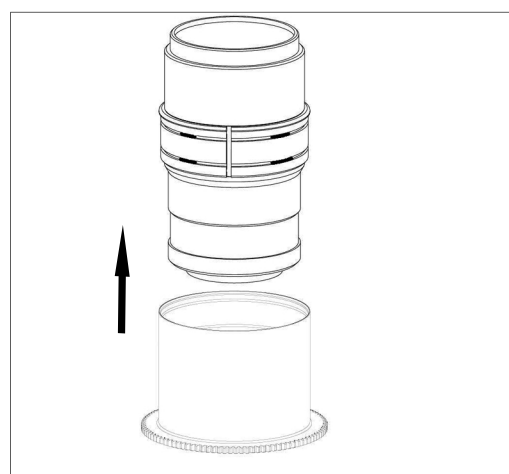
Please follow the instruction below to mount the C100IS-F on the lens



1. Remove the rubber ring from the lens carefully.



2. Insert the plastic c-ring of the C100IS-F onto the rubber ring recess of the lens.



3. Insert the gear ring of the C100IS-F on the plastic c-ring, as shown in the diagram, until it reaches the flange of the plastic c-ring.

4. The tightness between the C100IS-F gear and the lens can be adjusted by removing or adding rubber grips on either sides of the plastic c-ring, spare rubber grips are included in the package.