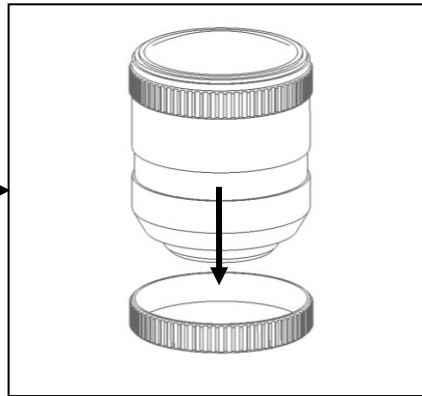
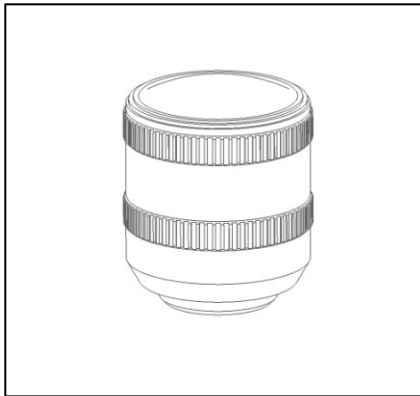




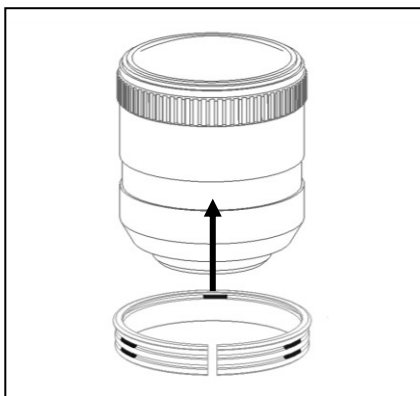
TN1017-Z

Zoom gear for Tokina AT-X 10-17mm F3.5-4.5 Fisheye DX

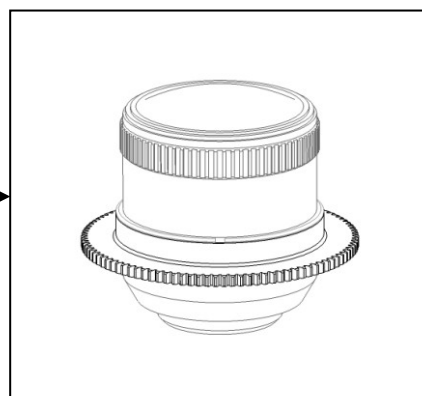
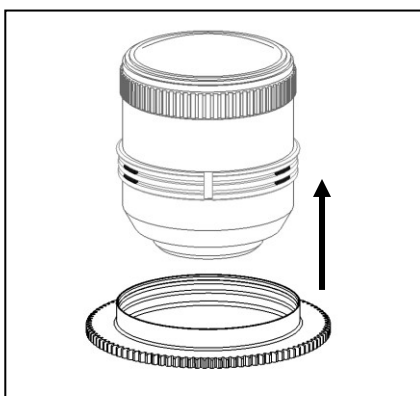
Please follow the instructions below to mount the TN1017-Z on the lens.



1. Remove the rubber ring from the lens carefully.



2. Insert the plastic c-ring of the TN1017-Z onto the rubber ring recess of the lens.



3. Insert the gear ring of the TN1017-Z on the plastic c-ring, as shown in the diagram, until it reaches the flange of the plastic c-ring.

4. The tightness between the TN1017-Z and the lens can be adjusted by removing or adding rubber grips on either sides of the plastic c-ring. Spare rubber grips are included in the package.