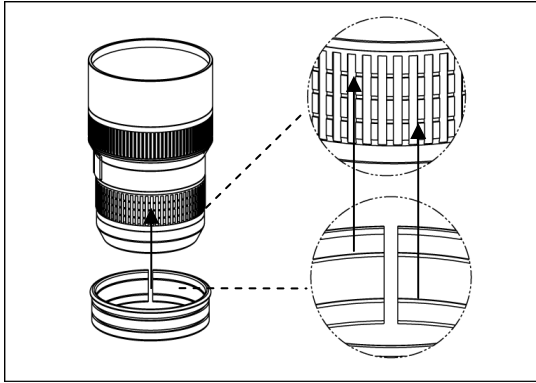


19138 N1635-Z

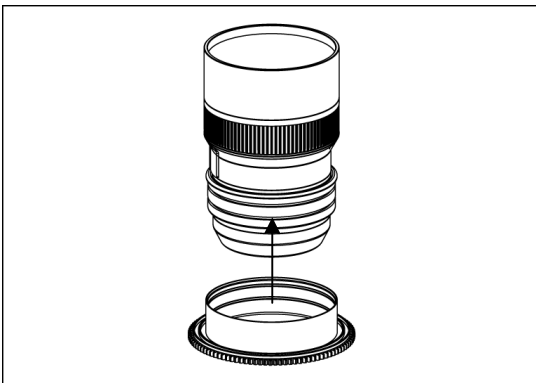
Zoom gear for AF-S NIKKOR 16-35mm f/4G ED VR

Please follow the instructions below to mount the dedicated zoom gear on the lens.

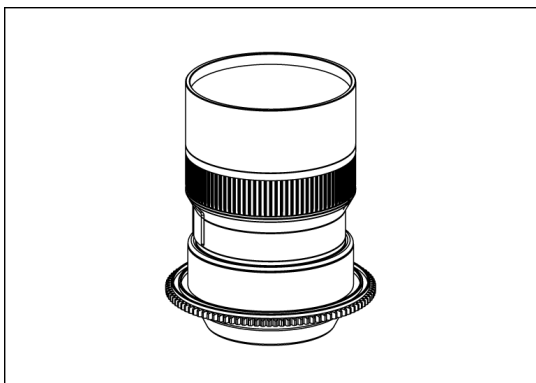


1. Insert the plastic c-ring as shown and place it over the lens rubber zoom ring.

Align the plastic c-ring to the grooves of the lens rubber zoom ring as shown for positioning.



2. Insert the gear of N1635-Z on the plastic c-ring until it reaches the flange of the plastic c-ring.



3. To remove the N1635-Z gear, reverse the above steps.
4. The tightness between the N1635-Z gear and the lens can be adjusted by removing or adding rubber grips on outer side of the plastic c-ring, spare rubber are included in the package.