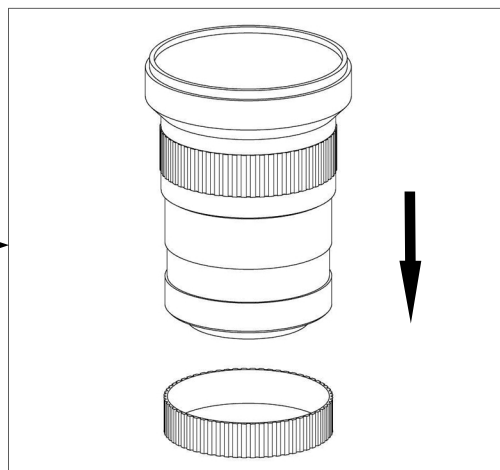
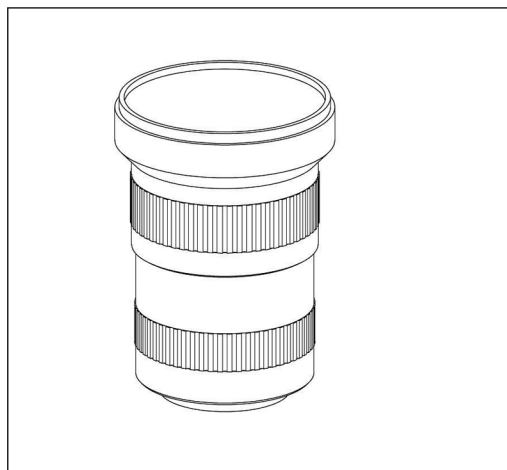


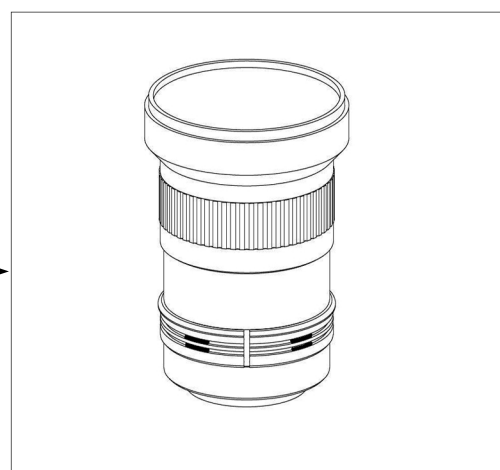
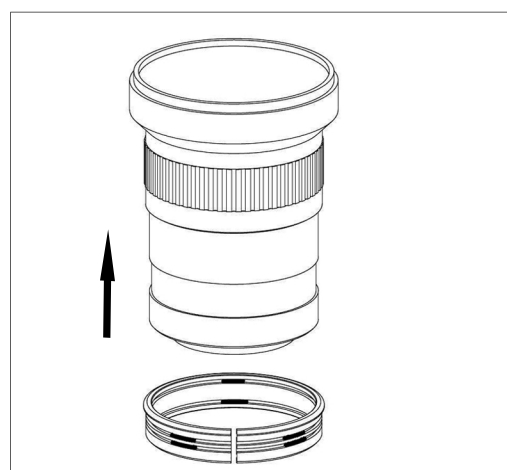
C1635II-Z (#19527)

Zoom gear for Canon EF16-35mm f/2.8L II USM

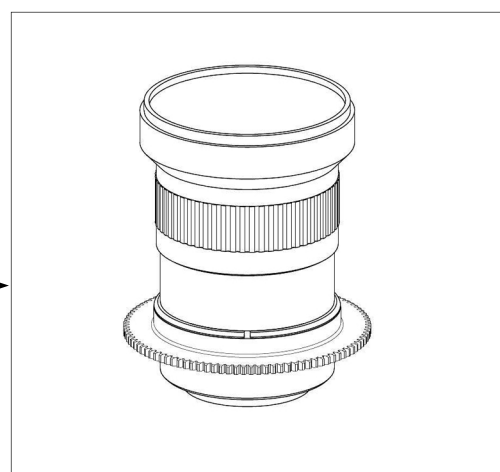
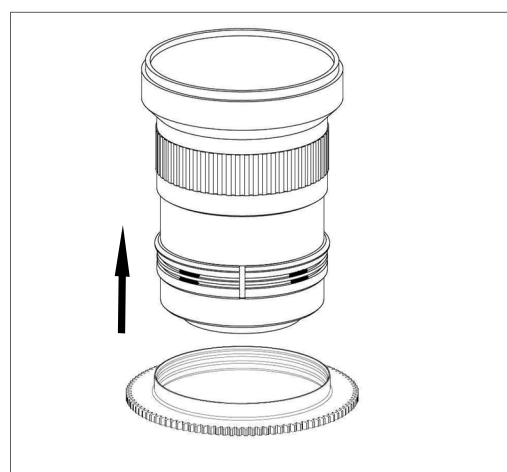
Please follow the instruction below to mount the C1635II - Z on the lens



1. Remove the rubber ring from the lens carefully.



2. Insert the plastic c-ring of the C1635II-Z onto the rubber ring recess of the lens.



3. Insert the gear ring of the C1635II-Z on the plastic c-ring, as shown in the diagram, until it reaches the flange of the plastic c-ring.

4. The tightness between the C1635II-Z gear and the lens can be adjusted by removing or adding rubber grips on either sides of the plastic c-ring, spare rubber grips are included in the package.