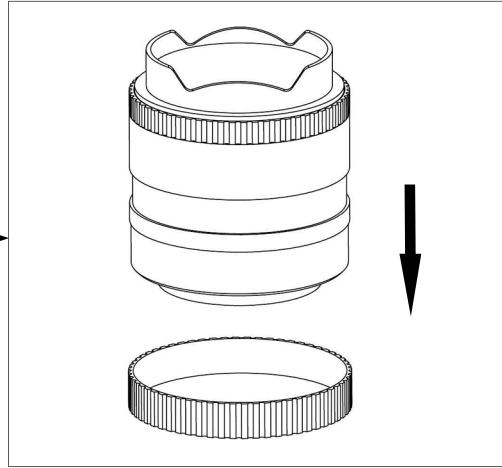
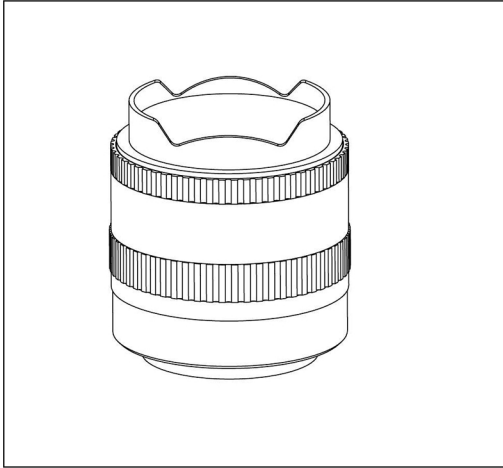




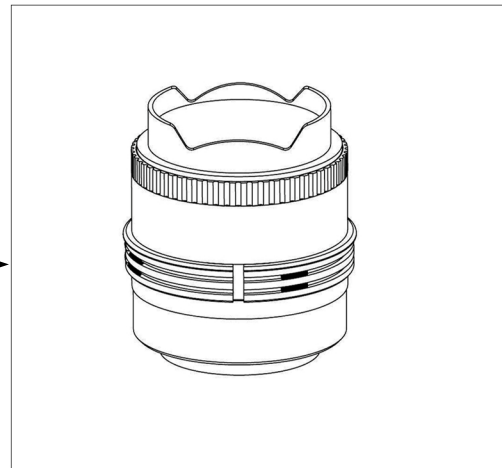
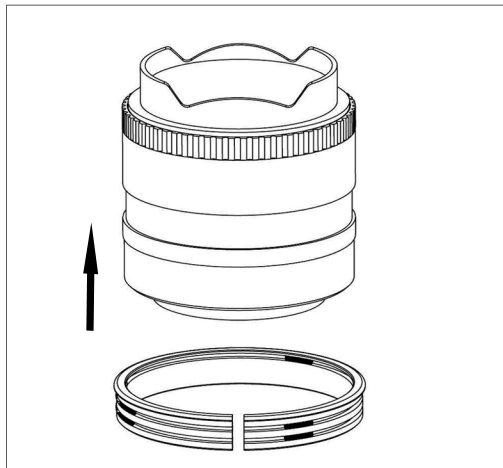
TC1116-Z (# 19530)

Zoom gear for Tokina AT-X Pro1 11-16mm F2.8(IF) DX (Canon)

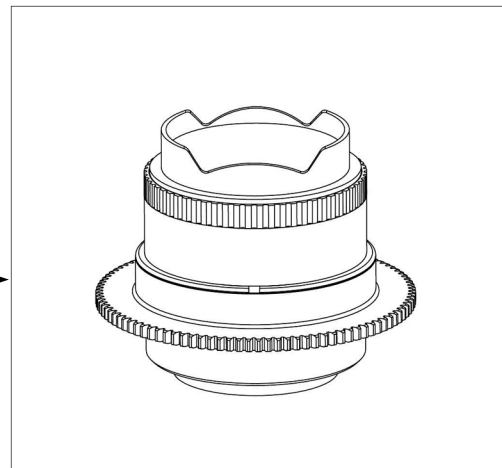
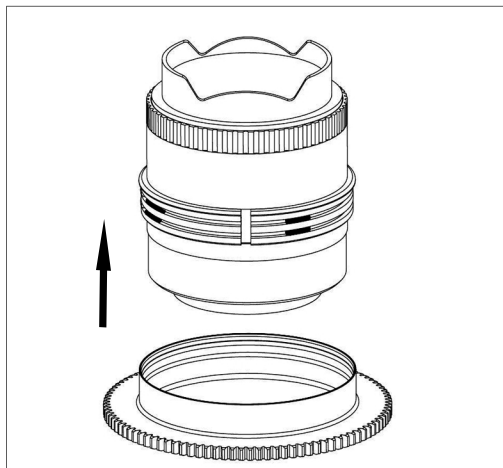
Please follow the instruction below to mount the TC1116 - Z on the lens



1. Remove the rubber ring from the lens carefully.



2. Insert the plastic c-ring of the TC1116-Z onto the rubber ring recess of the lens.



3. Insert the gear ring of the TC1116-Z on the plastic c-ring, as shown in the diagram, until it reaches the flange of the plastic c-ring.

4. The tightness between the TC1116-Z gear and the lens can be adjusted by removing or adding rubber grips on either sides of the plastic c-ring, spare rubber grips are included in the package.

