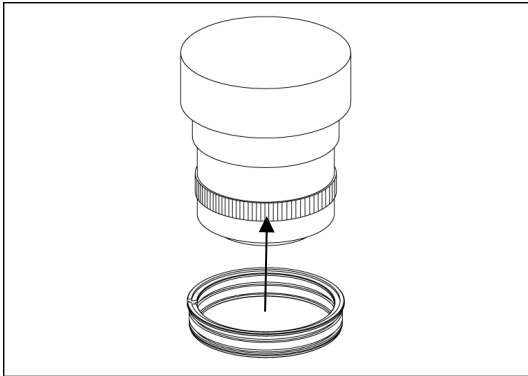


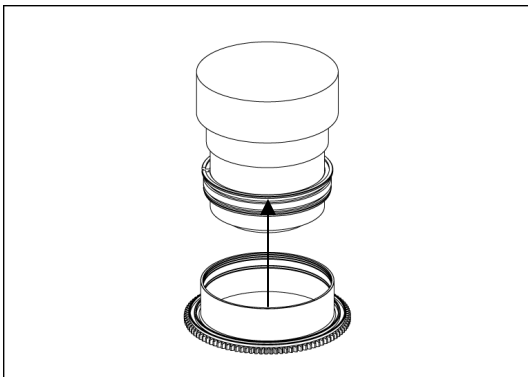
C815-Z+1.4

Zoom gear for Canon EF 8-15mm f/4L Fisheye USM with Kenko 1.4x Teleplus Pro 300 DGX

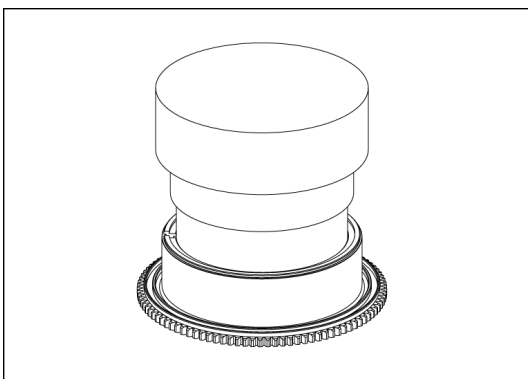
Please follow the instructions below to mount the dedicated zoom gear on the lens.



1. Insert the plastic c-ring as shown and place it over the lens rubber zoom ring.



2. Insert the gear of C815-Z+1.4 on the plastic c-ring until it reaches the flange of the plastic c-ring.



3. To remove the C815-Z+1.4 gear, reverse the above steps.
4. The tightness between the C815-Z+1.4 gear and the lens can be adjusted by removing or adding rubber grips on either sides of the plastic c-ring, spare rubber grips are included in the package.