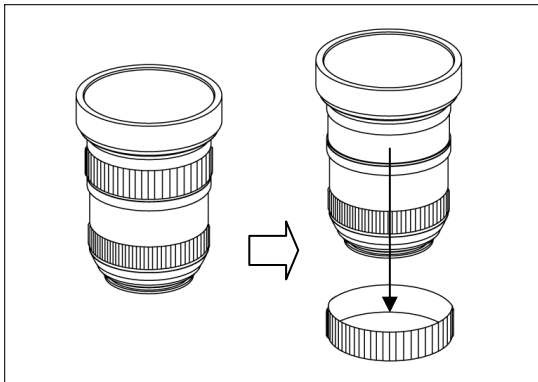


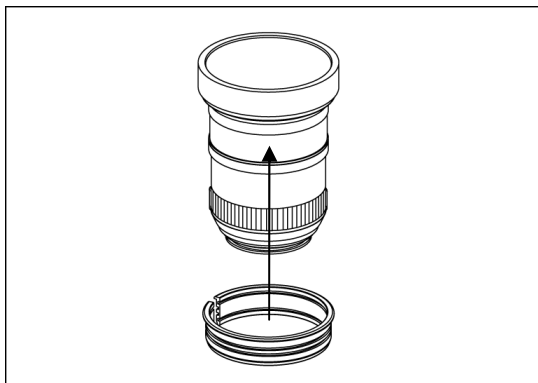
19542 C1635II-F

Focus gear for Canon EF 16-35mm f/2.8L II USM (to use with 21270)

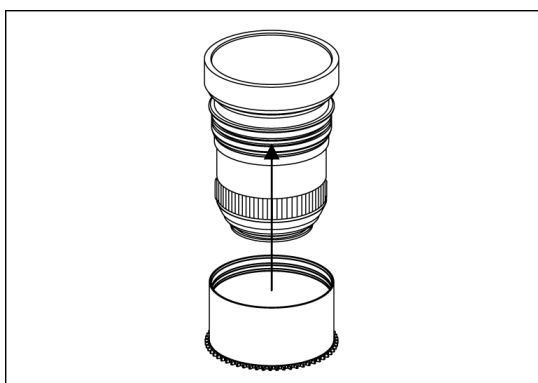
Please follow the instructions below to mount the dedicated focus gear on the lens.



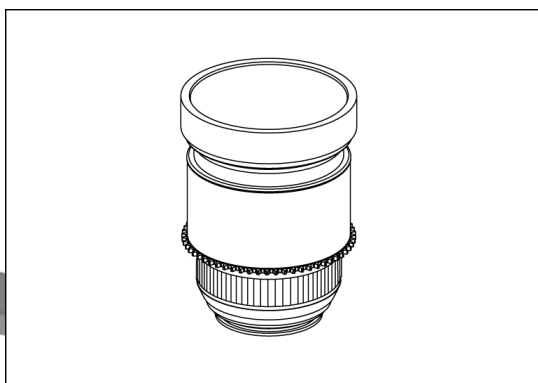
1. Remove the rubber ring from the lens carefully.



2. Insert the plastic c-ring as shown and place it onto the rubber ring recess of the lens.



3. Insert the gear of C1635II-F on the plastic c-ring until it reaches the flange of the plastic c-ring.



4. To remove the C1635II-F gear, reverse the above steps.
5. The tightness between the C1635II-F gear and the lens can be adjusted by removing or adding rubber grips on either sides of the plastic c-ring, spare rubber are included in the package.