

19548 C1635f4-Z Zoom Gear for Canon EF 16-35mm f/4L IS USM

Instruction Manual

FOREWORD

Thank you for your purchase of a NAUTICAM product.

At NAUTICAM, we pride ourselves in the ability to recognise the requirements of professional as well as amateur underwater photographers and fulfill them through the innovative designs of our products. We strive to achieve a high level of user-friendliness by allowing stress-free installation and easy operation of all important functions of the camera.

Please read this manual carefully before using the product, this will maximise its performance as well as its lifetime.

WARRANTY

All NAUTICAM Products are warranted against any material and manufacturing defects for two years from the date of purchase for consumer use. This warranty only applies to products purchased from authorised NAUTICAM dealers and does not extend beyond the original retail purchaser.

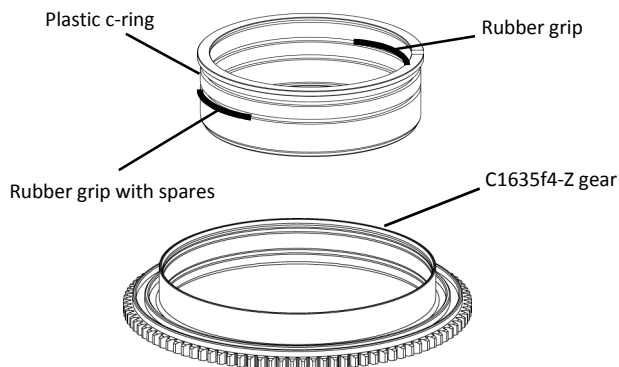
To return your product for service, please contact your regional authorized service centre(s). Please note that this warranty only applies when the product is purchased in the territory where the service centre is located.

NAUTICAM does not hold responsibility for damage, of any nature, to any equipment used with and/or placed within our products.

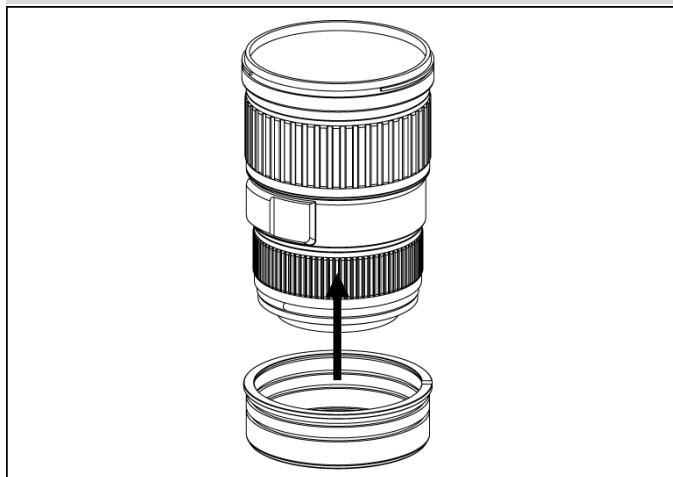
NAUTICAM accepts no liability for any loss of captured images or the inability to capture images even if it is due to the malfunctioning of our products.

Unauthorised modifications and/or repairs of our products will automatically invalidate the warranty.

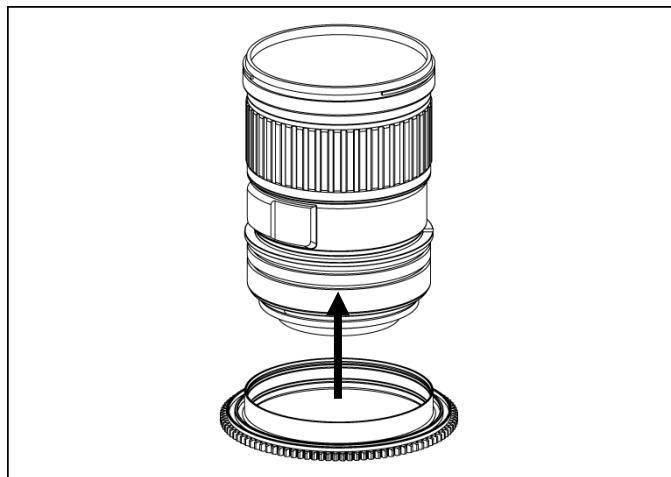
IDENTIFICATION OF PARTS



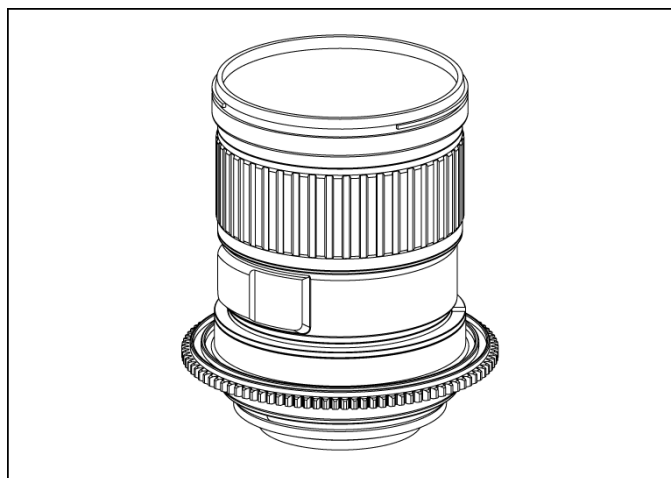
MOUNTING THE EXTENSION RING ON A PORT



Insert the plastic c-ring as shown and place it over the lens rubber zoom ring.



Insert the gear of C1635f4-Z on the plastic c-ring until it reaches the flange of the plastic c-ring.



To remove the C1635f4-Z gear, reverse the above steps.

The tightness between the C1635f4-Z gear and the lens can be adjusted by removing or adding rubber grips on either sides of the plastic c-ring, spare rubber grips are included in the package.

SPECIFICATIONS

Dimensions:	Dia102mm x 25.6mm
Type:	Zoom gear
Compatible lens:	Canon EF 16-35mm f/4L IS USM