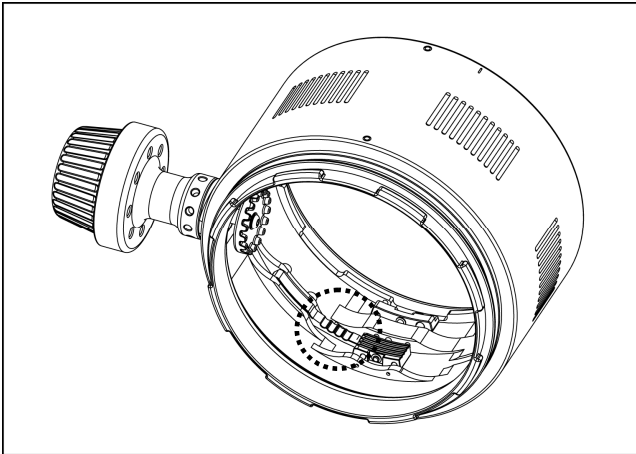


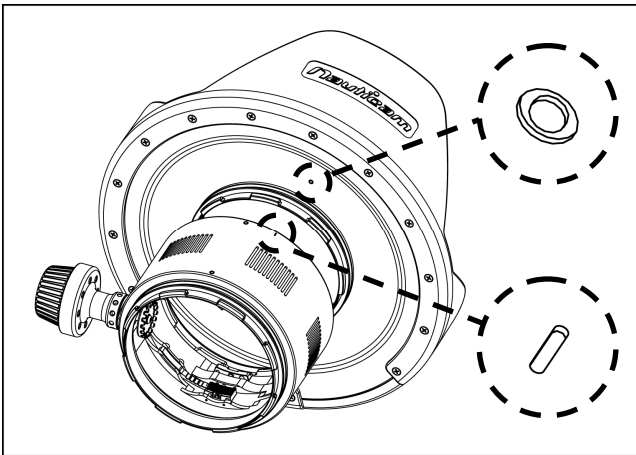
21271 Extension Ring 70 with Focus Knob for Canon EF 11-24mm f/4L USM

Instruction Manual

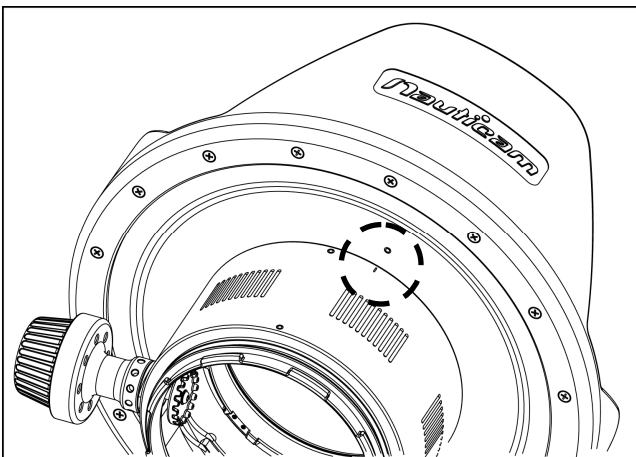
Please follow the instructions below to mount the Extension Ring on a port.



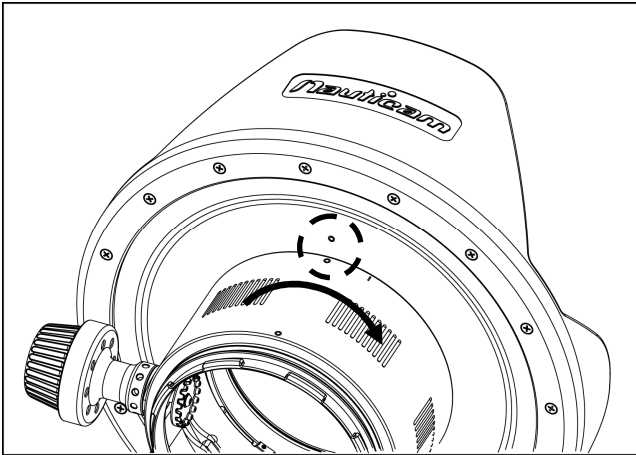
1. Confirm that the extension ring is unlocked, Press the RED bar to unlock the locking device of the extension ring.



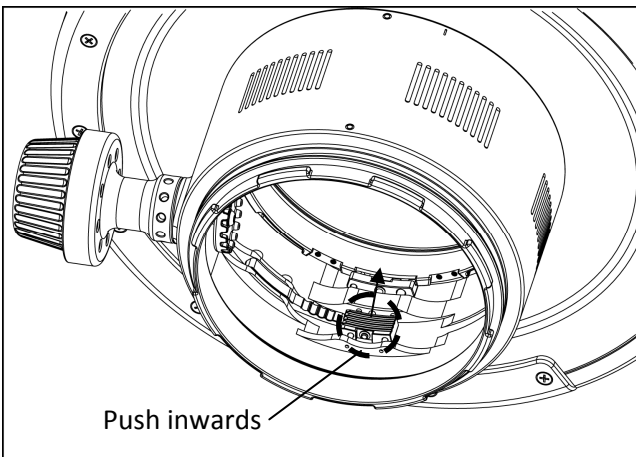
2. Align the "I" mark on the extension ring with the WHITE dot on the port.



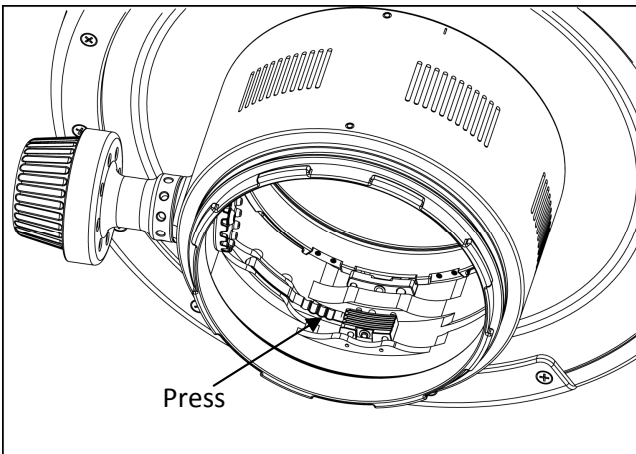
3. Gently push the extension ring towards the port until it cannot go any further.



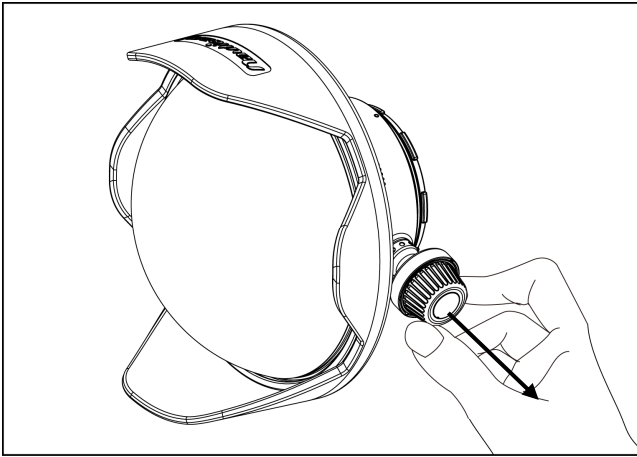
4. Turn the extension ring clockwise until the white dot on the extension ring aligns with the white dot on the port.



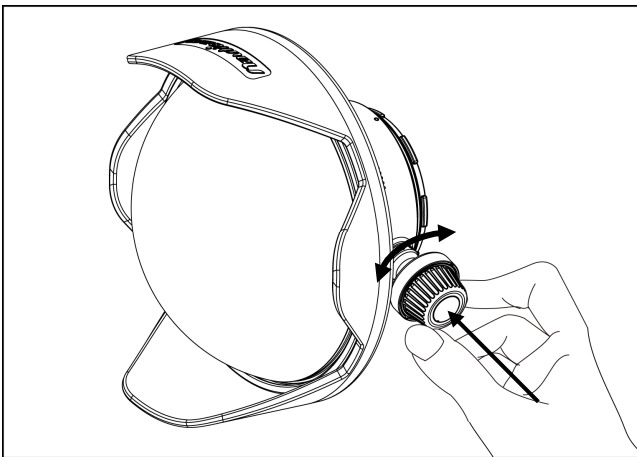
5. Push the locking device inwards. Ensure that the extension ring is securely locked with the port.



6. To unlock, press the RED bar to release the locking device and reverse the above procedures.



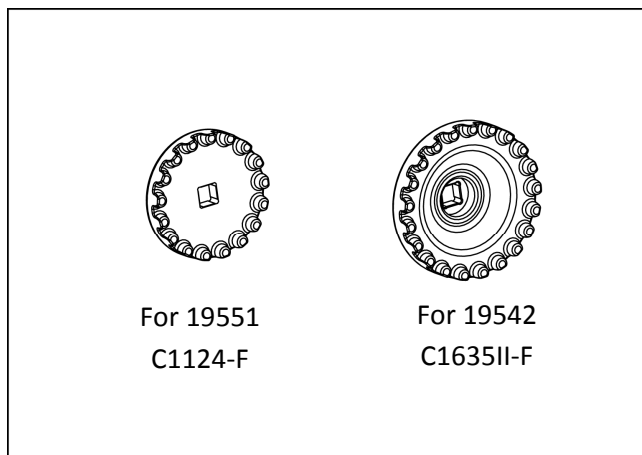
7. Make sure the control knob is at its most outwards position before mounting/ unmounting the port. The knob should be left at this position until it is made sure that the lens and focus gear is properly installed.



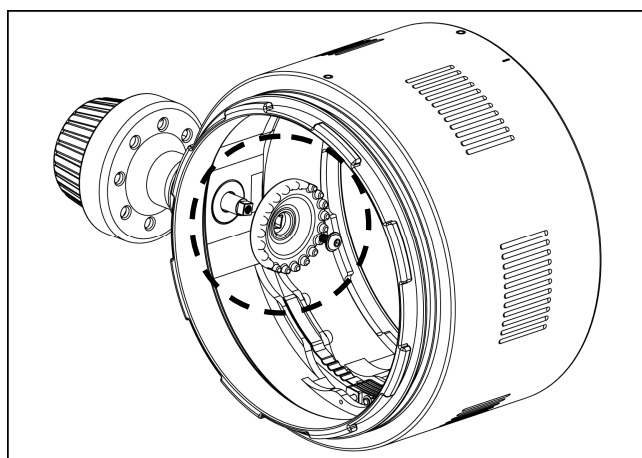
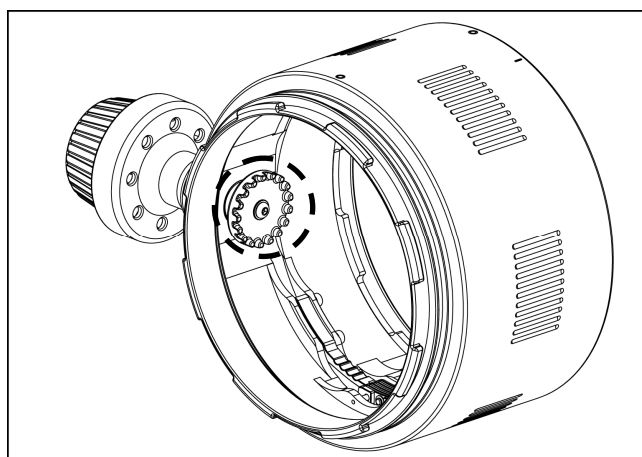
8. Engage the gear by pushing the knob inwards, then turn the knob both ways to check if the lens focuses.

*Please refer to the housing manual for procedures to mount the port on the housing.

The control knob of this extension ring can be used with focus gear of Canon EF 11-24mm f/4 USM (P.N. 19551) and Canon EF 16-35mm f/2.8L II USM (P.N. 19527). The control knob is set to be use with 19551 by default. To use 19542, a larger cog (supplied) have to be installed. Please follow the instruction below for changing the cog of the control knob.



1. Identify of cogs.



----- END -----