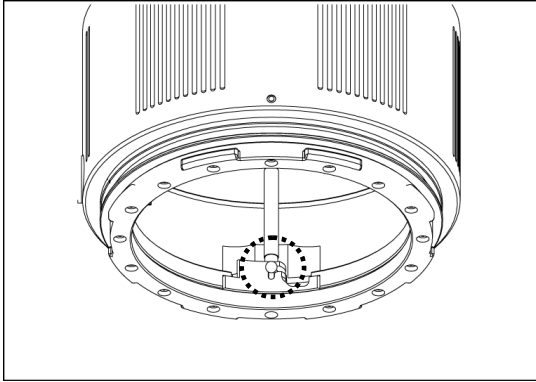


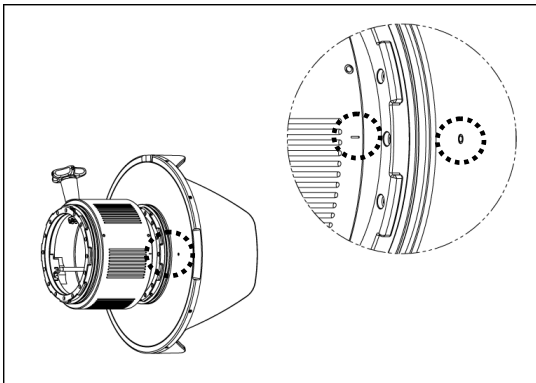
21270 Extension Ring 70 with Focus knob

Instruction Manual

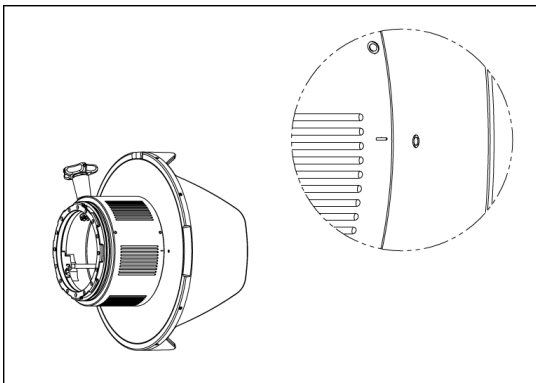
Please follow the instructions below to mount the Extension Ring on a port.



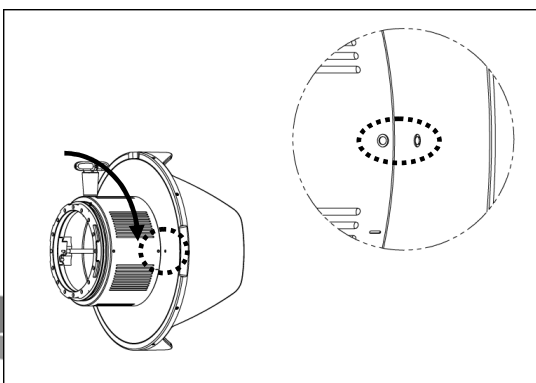
1. Confirm that the extension ring is unlocked, with the locking device pointing upwards as shown.



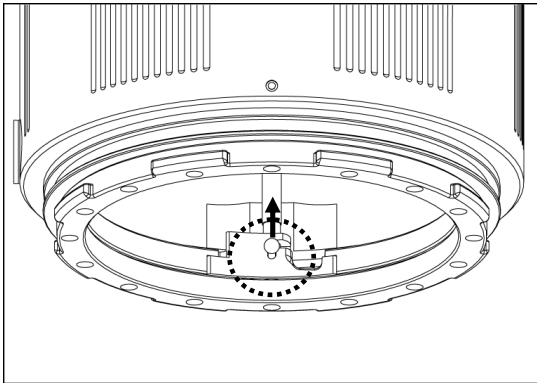
2. Align the "I" mark on the extension ring with the WHITE dot on the port.



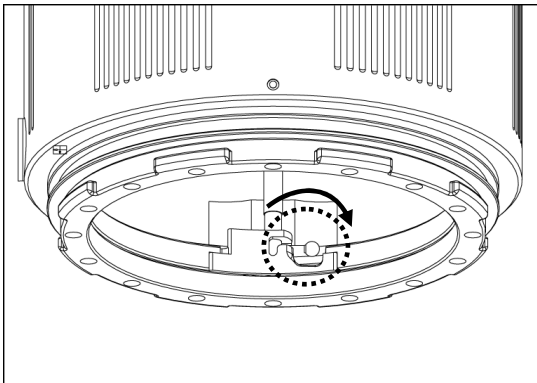
3. Gently push the extension ring towards the port until it cannot go any further.



4. Turn the extension ring clockwise until the white dot on the extension ring aligns with the white dot on the port.

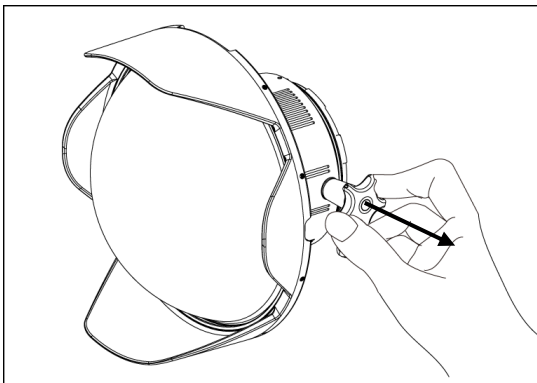


5. Push the locking device inwards.

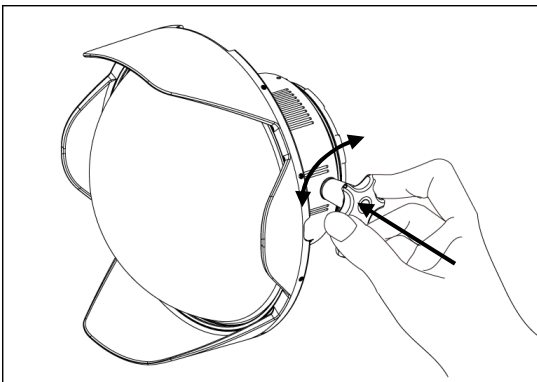


6. Turn the locking device sideways into the recess. Ensure that the locking device is secured inside the recess and the extension ring is securely locked with the port.
7. To unlock, insert a small screwdriver into the recess to lift the locking device, then reverse the above procedures.

Please refer to the housing manual for procedures to mount the port on the housing.



1. Make sure the control knob is at its most outwards position before mounting/ un-mounting the port. The knob should be left at this position until it is made sure that the lens and focus gear is properly installed.



2. Engage the gear by pushing the knob inwards, then turn the knob both ways to check if the lens focuses.