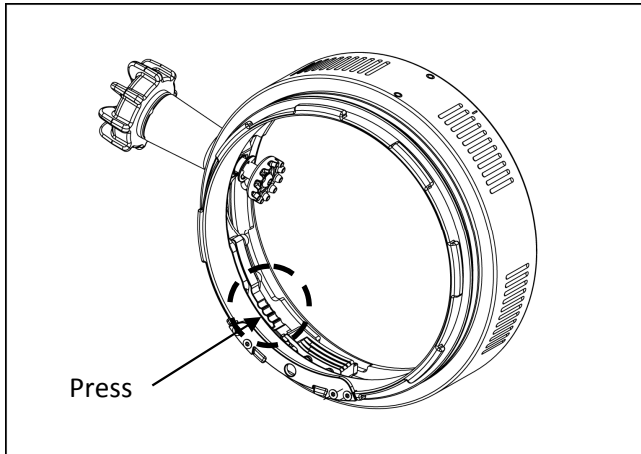


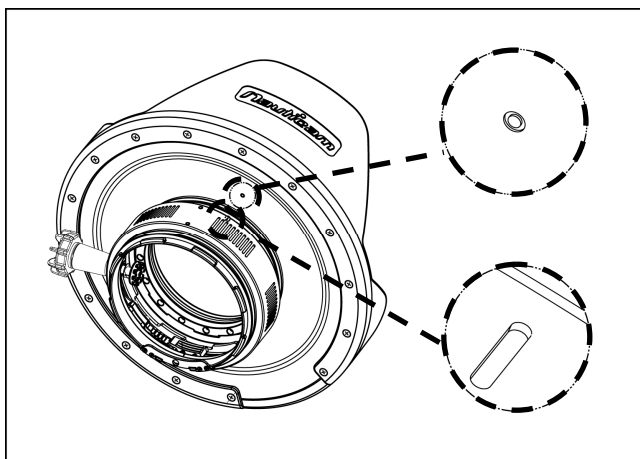
21230 Extension Ring 30 with Focus knob

Instruction Manual

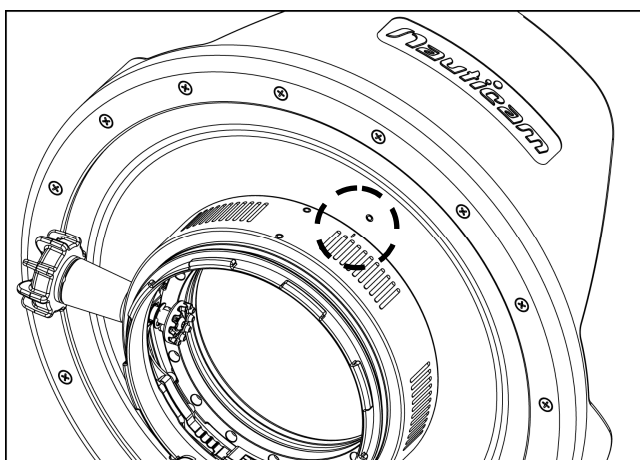
Please follow the instructions below to mount the Extension Ring on a port.



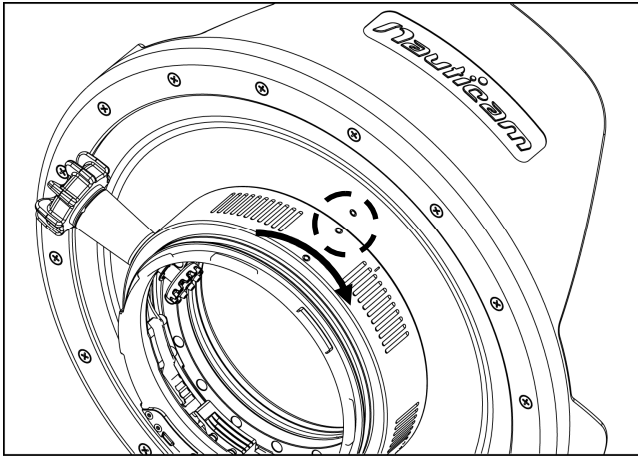
1. Confirm that the extension ring is unlocked, Press the RED bar to unlock the locking device of the extension ring.



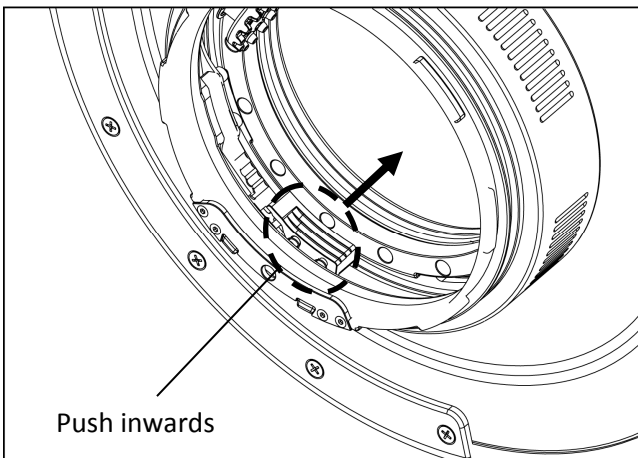
2. Align the "I" mark on the extension ring with the WHITE dot on the port.



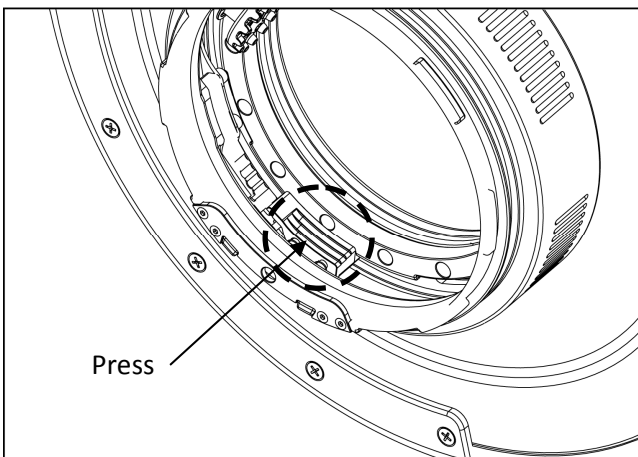
3. Gently push the extension ring towards the port until it cannot go any further.



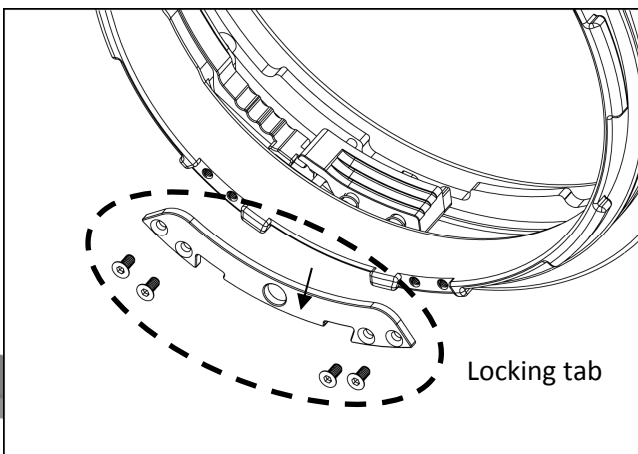
4. Turn the extension ring clockwise until the white dot on the extension ring aligns with the white dot on the port.



5. Push the locking device inwards. Ensure that the extension ring is securely locked with the port.



6. To unlock, press the RED bar to release the locking device and reverse the above procedures.

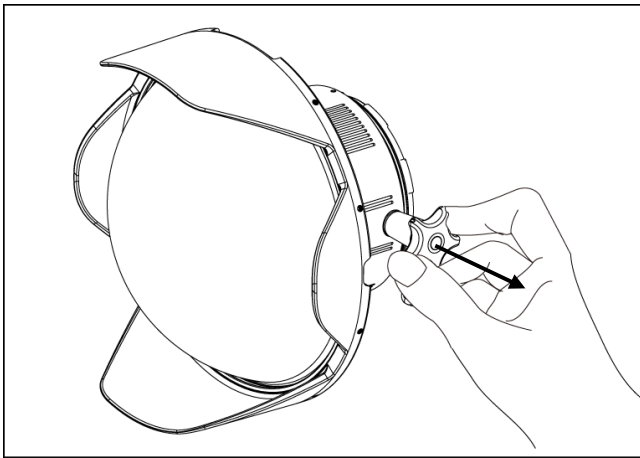


Compatibility:

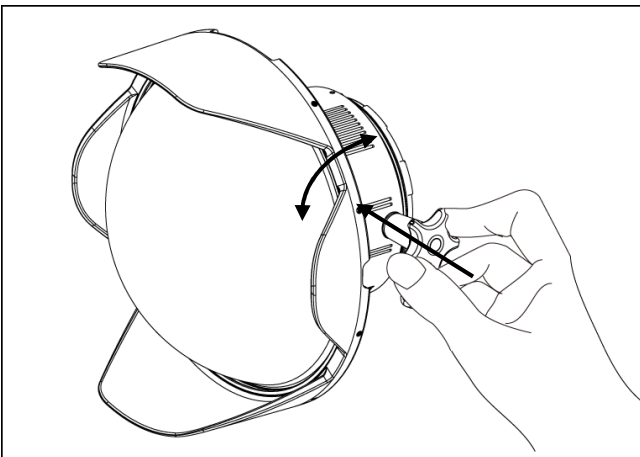
This extension ring is backwards compatible with other N120 extension rings. A user installable locking tab is pre-installed for this purpose.

Remove the locking tab when using large diameter lenses like Canon 11-24mm lens.

Please refer to the housing manual for procedures to mount the port to the housing.



1. Make sure the control knob is at its most outwards position before mounting/ un-mounting the port. The knob should be left at this position until it is made sure that the lens and focus gear is properly installed.



2. Engage the gear by pushing in the knob, then turn the knob both ways to check if the lens focuses.

--- END ---