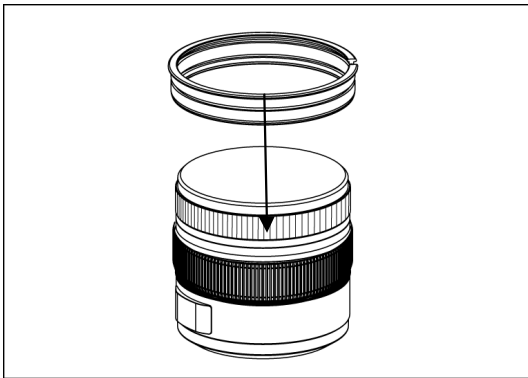


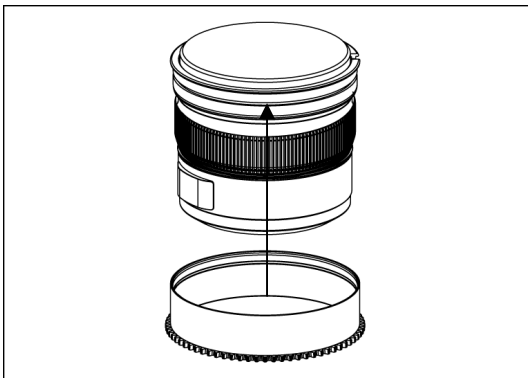
36042 P1235-F (to use with 36164)

Focus gear for Panasonic LUMIX G X Vario 12-35mm
F2.8 ASPH. POWER O.I.S.

Please follow the instructions below to mount the dedicated focus gear on the lens.



1. Insert the plastic c-ring as shown and place it over the lens focus ring.



2. Insert the gear of P1235-F on the plastic c-ring until it reaches the flange of the plastic c-ring.



3. To remove the P1235-F gear, reverse the above steps.
4. The tightness between the P1235-F gear and the lens can be adjusted by removing or adding rubber grips on either sides of the plastic c-ring, spare rubber grips are included in the package.