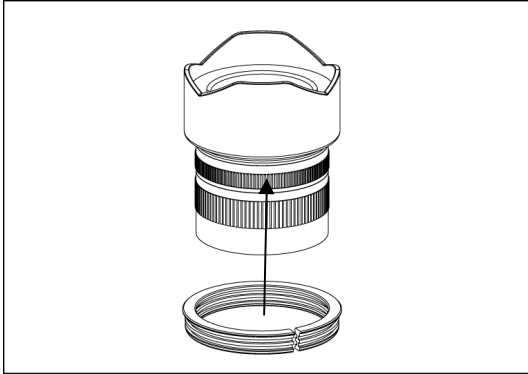


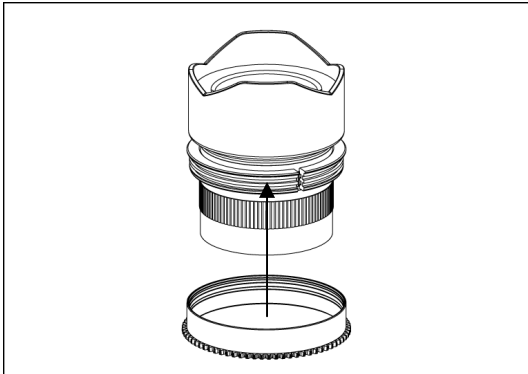
36043 P714-F (to use with 36164)

Focus gear for Panasonic LUMIX G VARIO 7-14mm/F4.0 ASPH

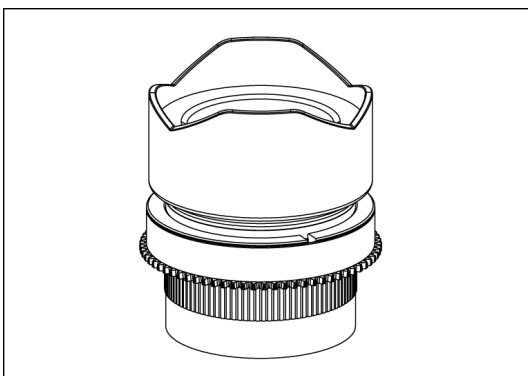
Please follow the instructions below to mount the dedicated focus gear on the lens.



1. Insert the plastic c-ring as shown and place it over the lens focus ring.



2. Insert the gear of P714-F on the plastic c-ring until it reaches the flange of the plastic c-ring.



3. To remove the P714-F gear, reverse the above steps.
4. The tightness between the P714-F gear and the lens can be adjusted by removing or adding rubber grips on either sides of the plastic c-ring, spare rubber grips are included in the package.