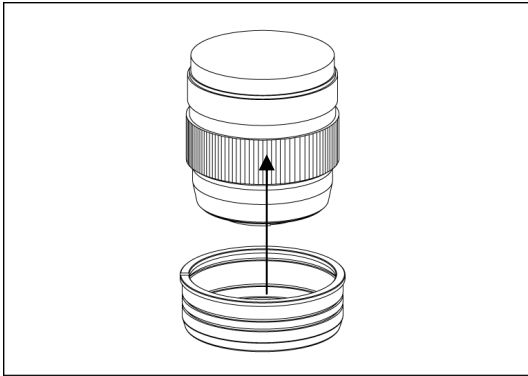


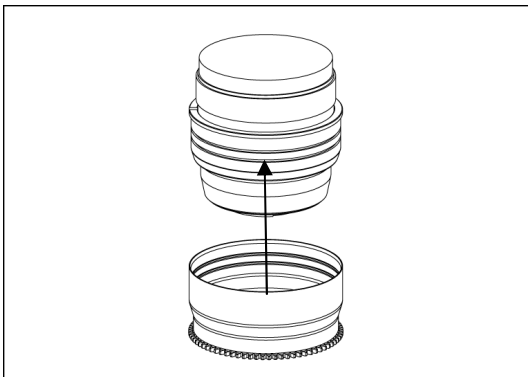
36045 01240-Z

Zoom gear for Olympus M.ZUIKO DIGITAL ED 12-40mm f/2.8 PRO

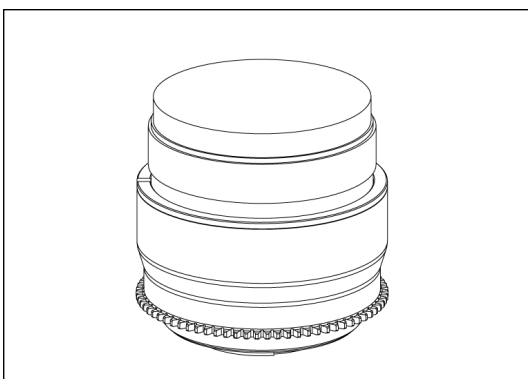
Please follow the instructions below to mount the dedicated zoom gear on the lens.



1. Insert the plastic c-ring as shown and place it over the lens zoom ring.



2. Insert the gear of O1240-Z on the plastic c-ring until it reaches the flange of the plastic c-ring.



3. To remove the O1240-Z gear, reverse the above steps.
4. The tightness between the O1240-Z gear and the lens can be adjusted by removing or adding rubber grips on either sides of the plastic c-ring, spare rubber grips are included in the package.

Please note that the camera has to be installed into the housing before mounting this lens with gear attached.