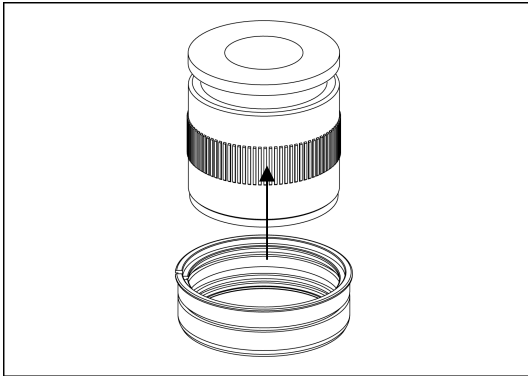


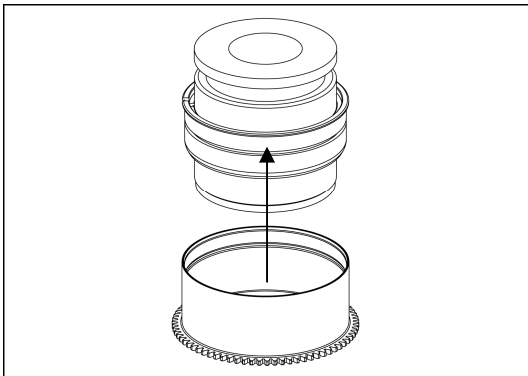
## 36053 P1445-Z

### Zoom Gear for Panasonic LUMIX G VARIO 14-45mm F3.5-5.6 ASPH. MEGA O.I.S.

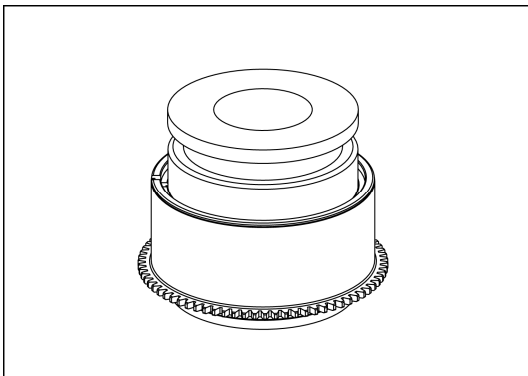
Please follow the instructions below to mount the dedicated zoom gear on the lens.



1. Insert the plastic c-ring as shown and place it over the lens rubber zoom ring.



2. Insert the gear of P1445-Z on the plastic c-ring until it reaches the flange of the plastic c-ring.



3. To remove the P1445-Z gear, reverse the above steps.
4. The tightness between the P1445-Z gear and the lens can be adjusted by removing or adding rubber grips on either sides of the plastic c-ring, spare rubber grips are included in the package.