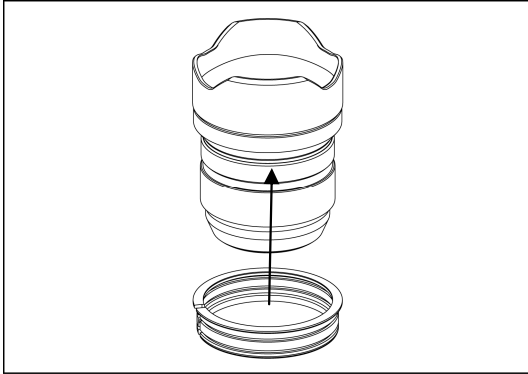


36055 0714-F

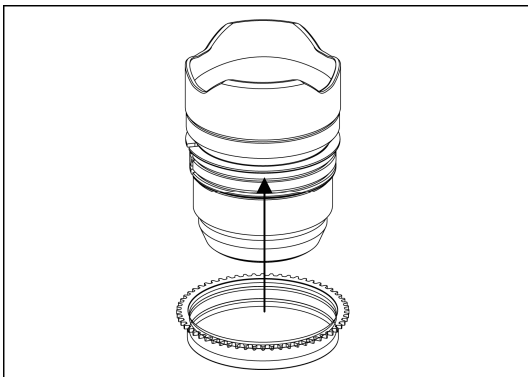
Focus gear for OLYMPUS M.ZUIKO DIGITAL ED 7-14mm F2.8 PRO

Please follow the instructions below to mount the dedicated focus gear on the lens.



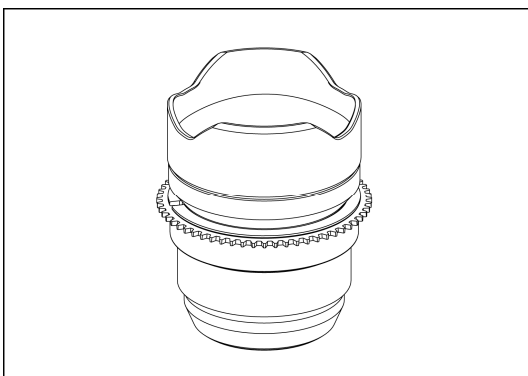
1. Insert the plastic c-ring as shown and place it over the lens focus ring.

Note for the orientation of the c-ring, the large end should be on top.



2. Insert the gear of O714-F on the plastic c-ring until it reaches the flange of the plastic c-ring.

Note for the orientation of the gear, the toothed end should be on top.



3. To remove the O714-F gear, reverse the above steps.
4. The tightness between the O714-F gear and the lens can be adjusted by removing or adding rubber grips on either sides of the plastic c-ring, spare rubber grips are included in the package.