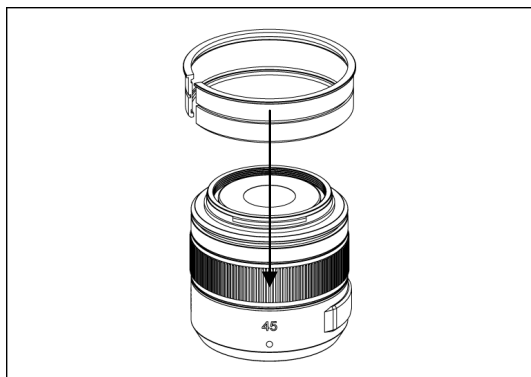


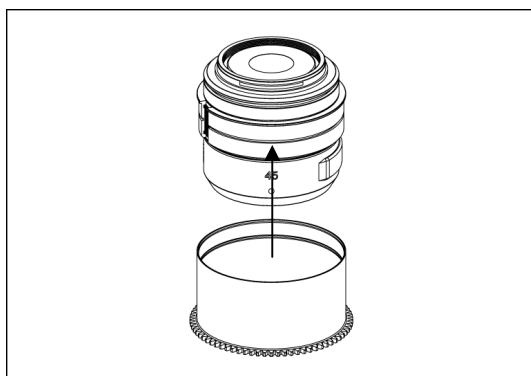
36145 P45-F

Focus gear for LEICA DG MACRO-ELMARIT45mm F2.8 ASPH. MEGA O.I.S.

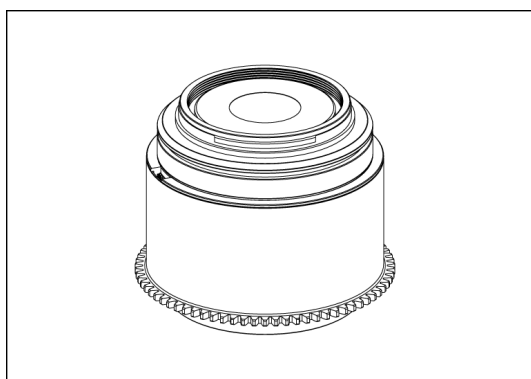
Please follow the instructions below to mount the dedicated focus gear on the lens.



1. Insert the plastic c-ring as shown and place it over the lens rubber focus ring.



2. Insert the gear of P45-F on the plastic c-ring until it reaches the flange of the plastic c-ring.



3. To remove the P45-F gear, reverse the above steps.
4. The tightness between the P45-F gear and the lens can be adjusted by removing or adding rubber grips on the outer side of the plastic c-ring, spare rubber grips are included in the package.