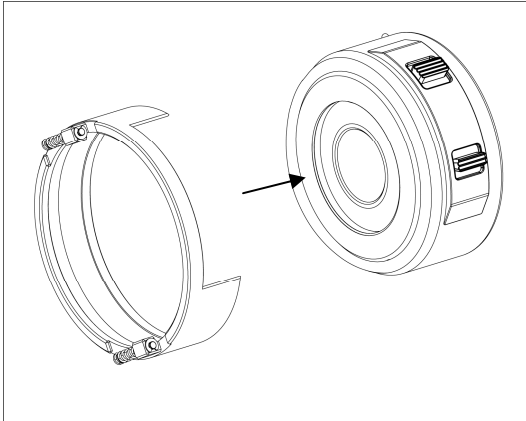


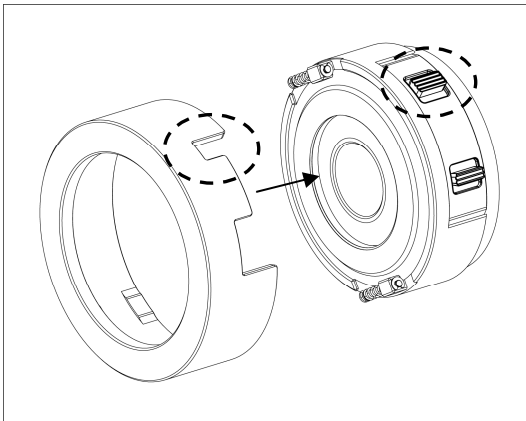
Panasonic Lumix G X Vario PZ 14-42mm F3.5-5.6 ASPH. POWER O.I.S. zoom gear

Underwater Lens Zoom Gear

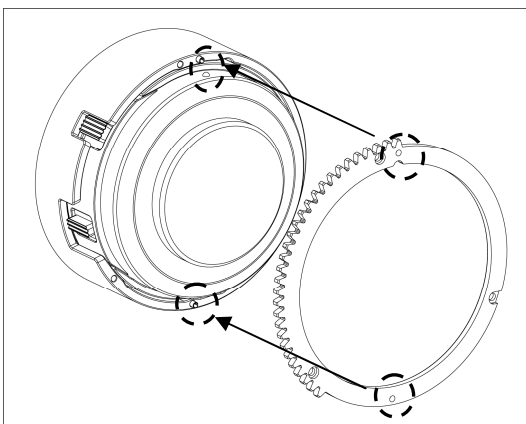
Please follow the instructions below to mount the dedicated zoom gear on the lens.



1. Align the base unit of the zoom gear with the lens as indicated in the diagram. Then lightly push the base unit towards the lens until it cannot go any further.



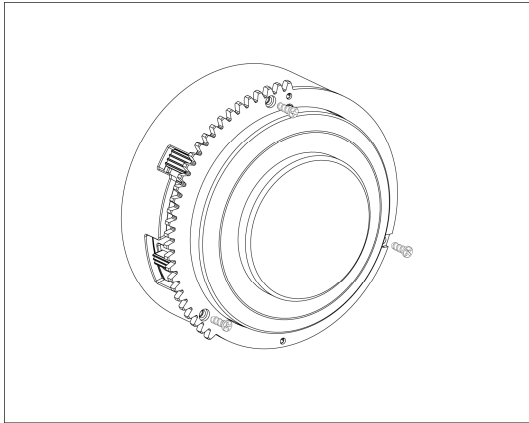
2. Align the zoom lever on the lens with the opening of zoom gear cover as indicated in the diagram. Then lightly push the cover towards the lens until it cannot go any further. Make sure the two springs on the base unit sit inside the groove in the cover (not shown).



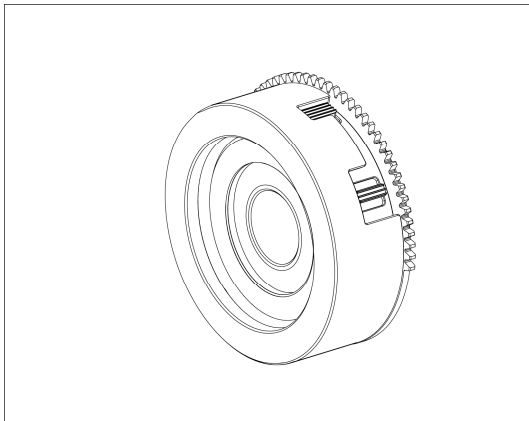
3. Align the pins on the cover with the holes in the gear ring as indicated in the diagram.

Panasonic Lumix G X Vario PZ 14-42mm F3.5-5.6 ASPH. POWER O.I.S. zoom gear

Underwater Lens Zoom Gear



4. Tighten the three screws with a Philips-head screwdriver.



5. For removal of the zoom gear from the lens, reverse the above procedures.