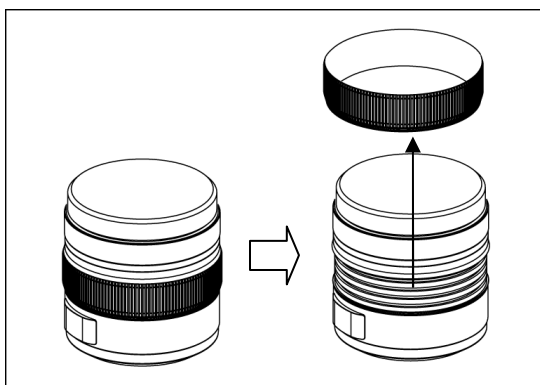


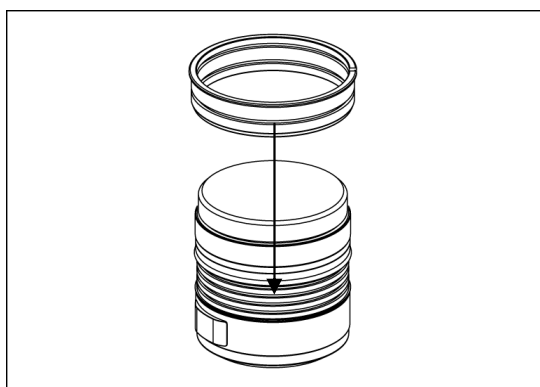
## P1235-Z

### Zoom gear for Panasonic Lumix G X VARIO 12-35mm F2.8 ASPH. POWER O.I.S.

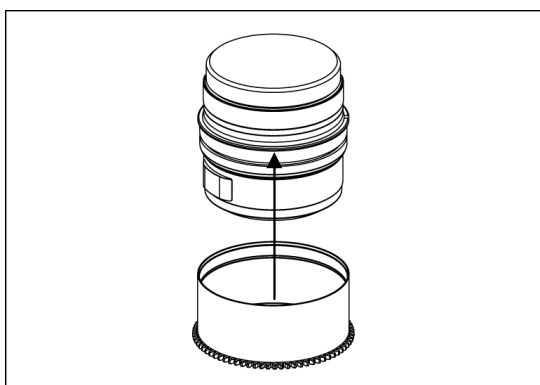
Please follow the instructions below to mount the dedicated zoom gear on the lens.



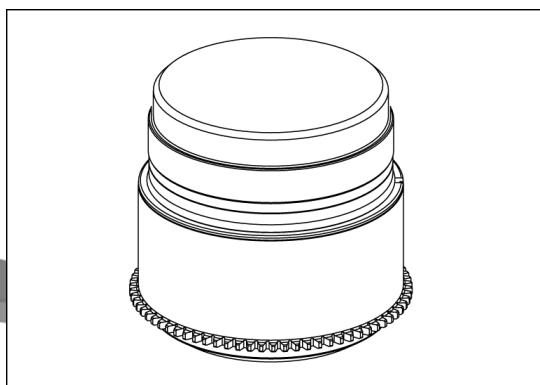
1. Remove the rubber ring from the lens carefully.



2. Insert the plastic c-ring as shown and place it onto the rubber ring recess of the lens.



3. Insert the gear of P1235-Z on the plastic c-ring until it reaches the flange of the plastic c-ring.



4. To remove the P1235-Z gear, reverse the above steps.
5. The tightness between the P1235-Z gear and the lens can be adjusted by removing or adding rubber grips on either sides of the plastic c-ring, spare rubber are included in the package.