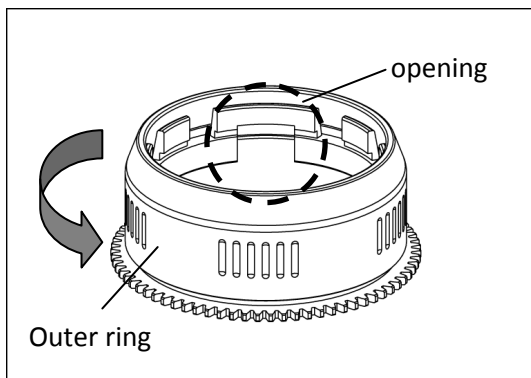


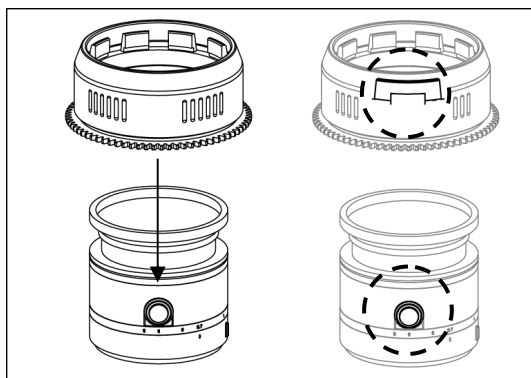
N6.713-Z

Zoom gear for Nikon 1 NIKKOR VR 6.7-13mm f/3.5-5.6

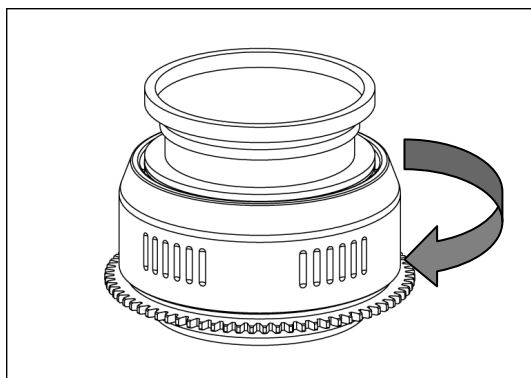
Please follow the instructions below to mount the dedicated zoom gear on the lens.



1. Loosen the zoom gear by turning the outer ring anti-clockwise while holding the toothed part firmly, until it can be inserted onto the lens.
2. Locate the "opening" of the gear.



3. Align the "opening" of the gear with the button on the lens barrel. Insert the gear of N6.713-Z as shown and place it over the lens zoom ring.



4. Tighten the zoom gear by turning the outer ring clockwise while holding the toothed part firmly, until it cannot go in any further.