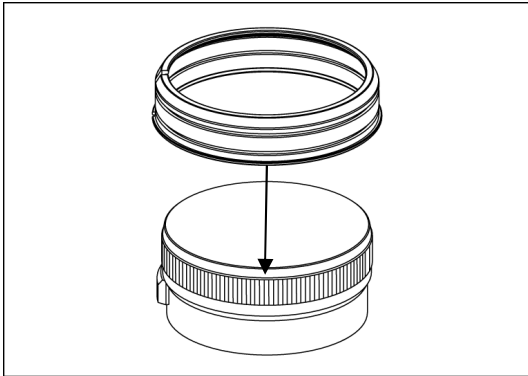


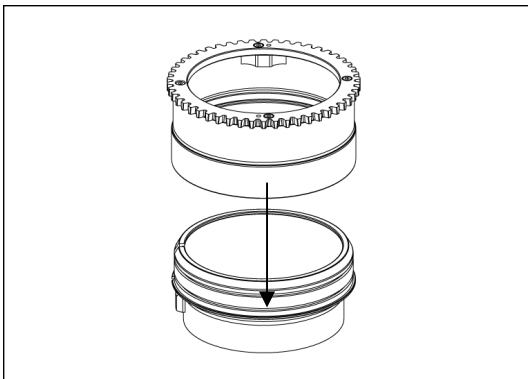
SE1650-PZ

Zoom gear for Sony E PZ 16-50mm F3.5-5.6 OSS

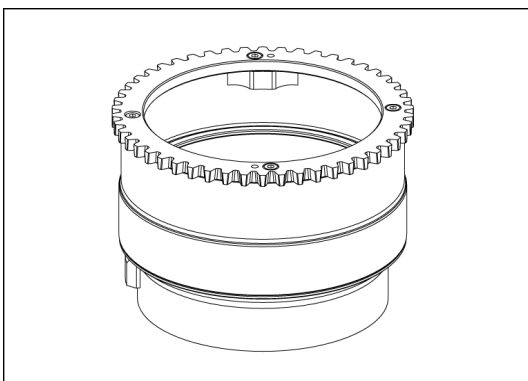
Please follow the instructions below to mount the dedicated zoom gear on the lens.



1. Insert the plastic c-ring as shown and place it over the lens zoom ring.



2. Insert the gear of SE1650-Z on the plastic c-ring until it reaches the flange of the plastic c-ring.



3. To remove the SE1650-Z gear, reverse the above steps.
4. The tightness between the SE1650-Z gear and the lens can be adjusted by removing or adding rubber grips on either sides of the plastic c-ring, spare rubber grips are included in the package.