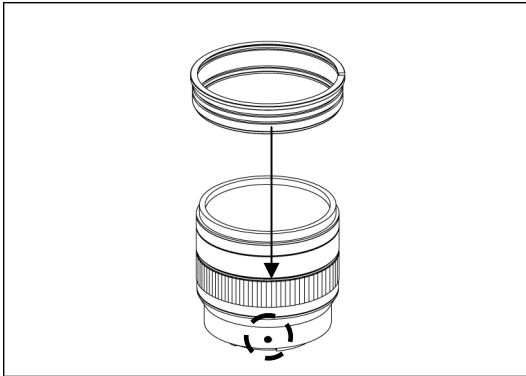


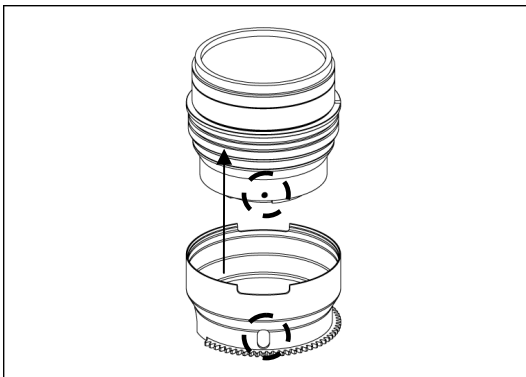
SE1018-Z

Zoom gear for Sony E mount 10-18mm F4

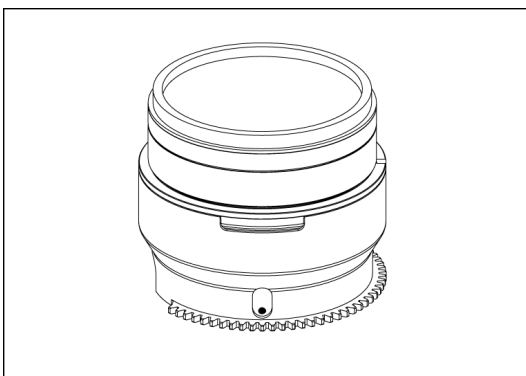
Please follow the instructions below to mount the dedicated zoom gear on the lens.



1. Prepare the lens and keep the index mark facing towards you. Retract the lens to its shortest length, i.e. at 18mm focal length.
2. Insert the plastic c-ring onto the zoom ring area.



3. Align the lens index mark with the opening on the gear of SE1018-Z, insert the gear of SE1018-Z on the plastic c-ring until it reaches the flange of the plastic c-ring.



4. To remove the SE1018-Z gear, reverse the above steps.
5. The tightness between the SE1018-Z gear and the lens can be adjusted by removing or adding rubber grips on either sides of the plastic c-ring, spare rubber grips are included in the package.