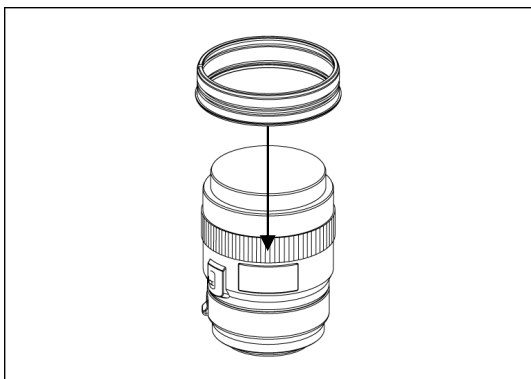


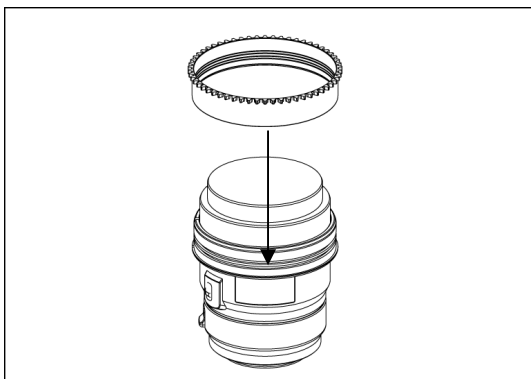
CMEF60-F

Focus gear for EF-EOS M adaptor with Canon EF-S 60mm f2.8 Macro USM

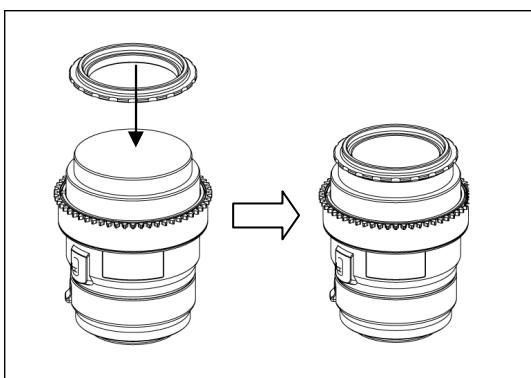
Please follow the instructions below to mount the dedicated focus gear on the lens.



1. Insert the plastic c-ring as shown and place it over the lens rubber focus ring.



2. Insert the gear of CMEF60-F on the plastic c-ring until it reaches the flange of the plastic c-ring.



3. Mount the alignment ring onto the lens by screwing it into the thread on the front of the lens.
4. To remove the CMEF60-F gear, reverse the above steps.
5. The tightness between the CMEF60-F gear and the lens can be adjusted by removing or adding rubber grips on either sides of the plastic c-ring, spare rubber grips are included in the package.