

**Instruction Manual for Macro Port and Focus gear set for Metabones Canon EF Lens to Sony NEX Smart Adapter II and Canon EF-S 60mm f/2.8 Macro USM**

PN# 36203

**FOREWORD**

Thank you for your purchase of a NAUTICAM product.

At NAUTICAM, we pride ourselves in the ability to recognise the requirements of professional as well as amateur underwater photographers and fulfill them through the innovative designs of our products. We strive to achieve a high level of user-friendliness by allowing stress-free installation and easy operation of all important functions of the camera.

Each product is individually inspected and water pressure tested to ensure optimum quality.

Please read this manual carefully before using the product, this will maximise its performance as well as its lifetime.

**WARRANTY**

All NAUTICAM Products are warranted against any material and manufacturing defects for two years from the date of purchase for consumer use. This warranty only applies to products purchased from authorised NAUTICAM dealers and does not extend beyond the original retail purchaser.

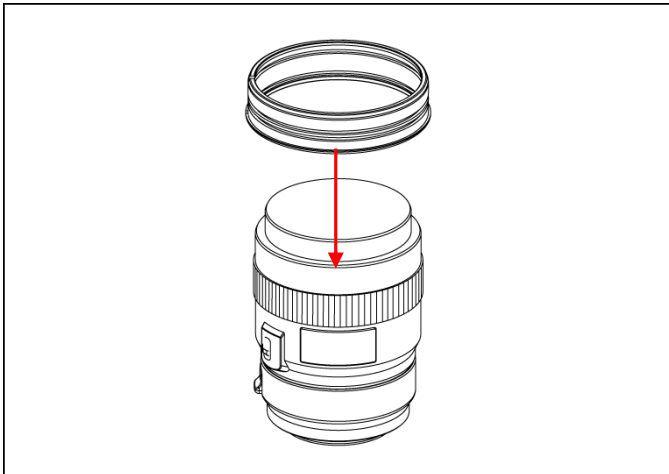
To return your product for service, please contact your regional authorized service centre(s). Please note that this warranty only applies when the product is purchased in the territory where the service centre is located.

NAUTICAM does not hold responsibility for damage, of any nature, to any equipment used with and/or placed within our products.

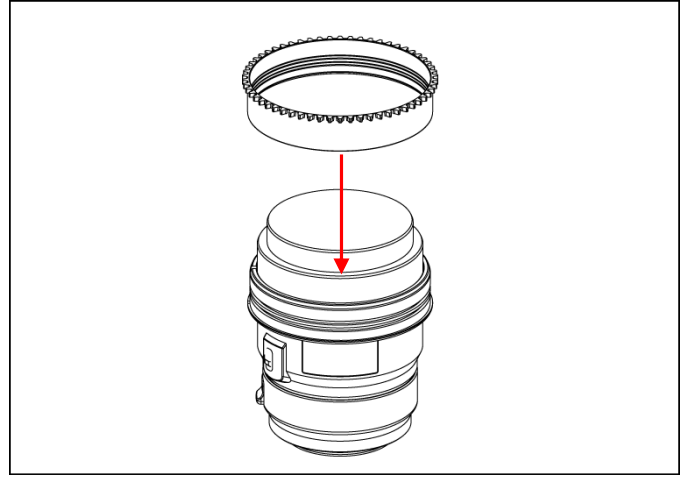
NAUTICAM accepts no liability for any loss of captured images or the inability to capture images even if it is due to the malfunctioning of our products.

Unauthorised modifications and/or repairs of our products will automatically invalidate the warranty.

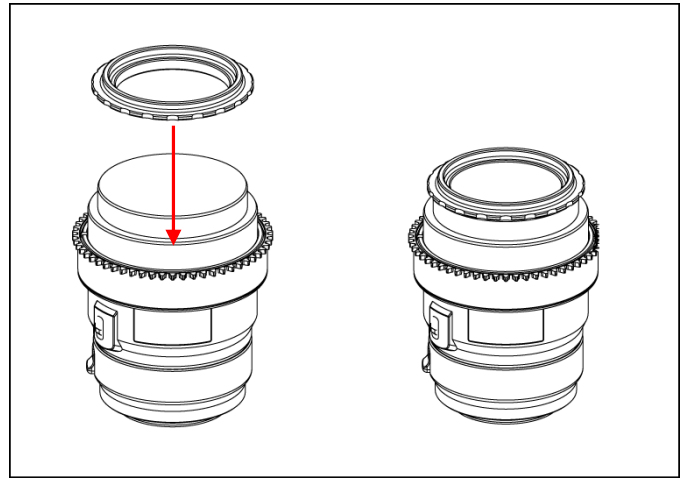
**MOUNTING THE FOCUS GEAR TO LENS**



Insert the plastic c-ring as shown and place it over the lens rubber focus ring.



Insert the gear of EEF60-F on the plastic c-ring until it reaches the flange of the plastic c-ring.

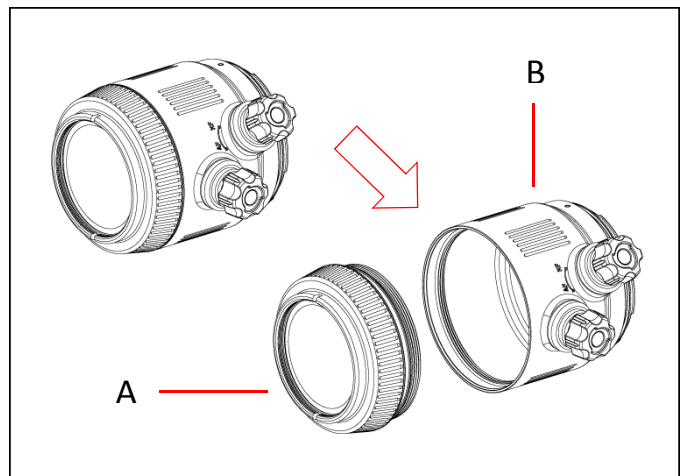


Mount the alignment ring onto the lens by screwing it into the thread on the front of the lens.

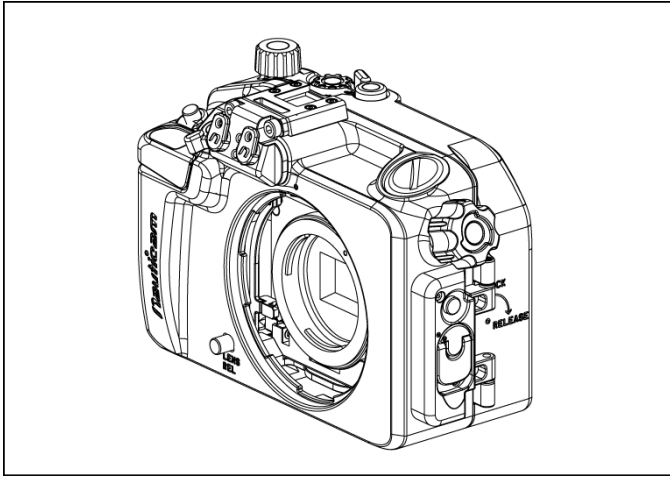
To remove the EEF60-F gear, reverse the above steps.

The tightness between the EEF60-F gear and the lens can be adjusted by removing or adding rubber grips on either sides of the plastic c-ring, spare rubber grips are included in the package.

**Mounting the Macro Port To A Housing**

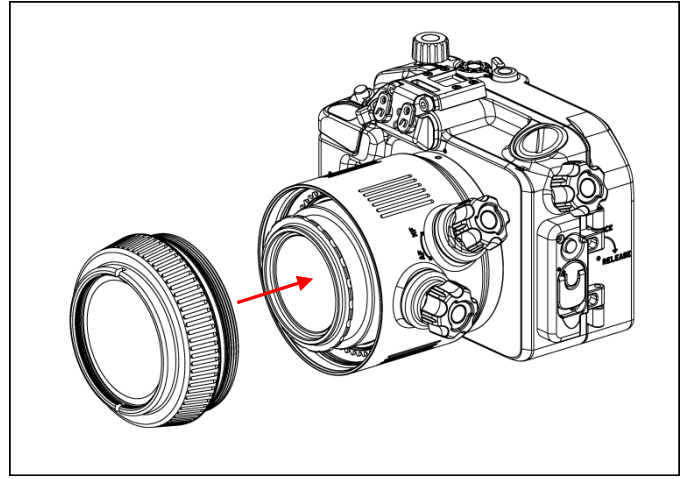


Detach A from the port by turning it anti-clockwise while holding B firmly.



Install the camera body only into the housing.

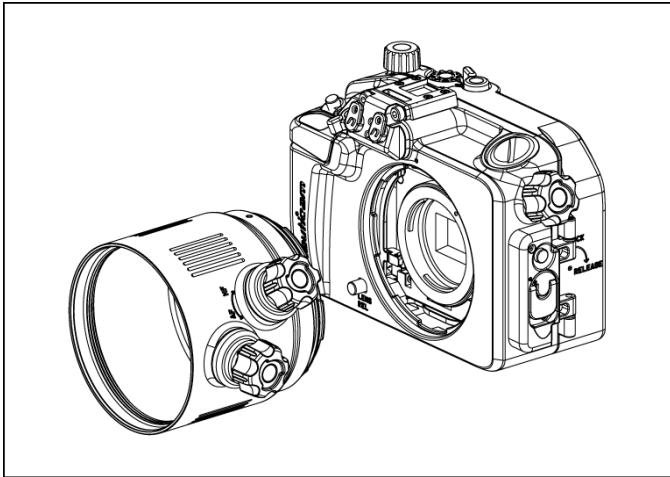
\*Please refer to the housing manual for installing camera into the housing.



Remove the O-ring from A, inspect for any damage and lightly coat it with the provided lubricant. Clean the O-ring groove before placing it back.

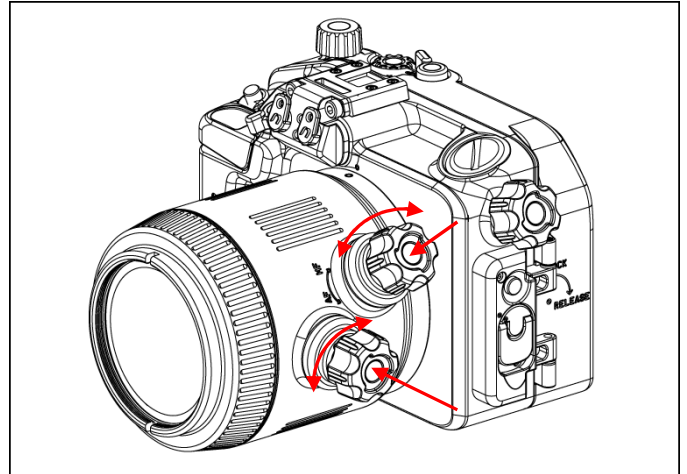
Verify that the threaded section of B and sealing surface are clean and free from foreign material.

Align the external threaded section of A and the internal threaded section of B.



Align the port mounting indices of B and the housing. Gently push B into the port opening of the housing, until it cannot go in any further.

\*Please refer to housing manual for locking and un-locking the port.

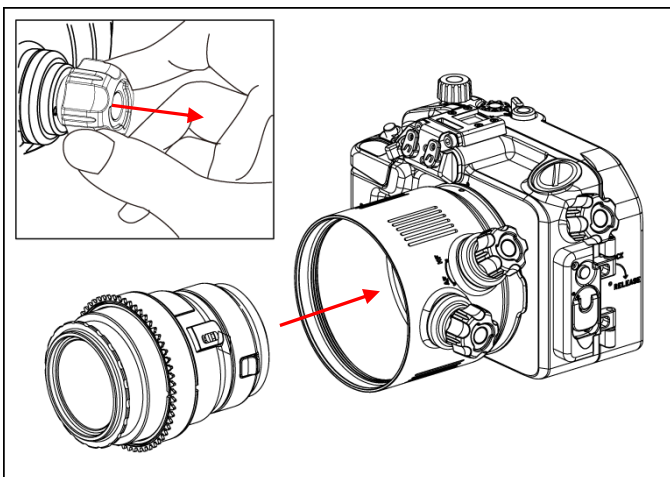


Attach A on B by holding the housing firmly and turning A clockwise until it cannot go in any further.

Engage the lens AF/MF switch by pushing in the upper knob, then turn the knob both ways to check if the lens is switching between auto and manual focus.

Engage the gear by pushing in the lower knob, then turn the knob both ways to check if the lens manual focusing is functioning.

To un-mount the port, reverse the above steps.



Make sure the two knobs are at its most outwards position before mounting/un-mounting the lens. The knobs should be left at this position until it is made sure that the lens and gear is properly installed.