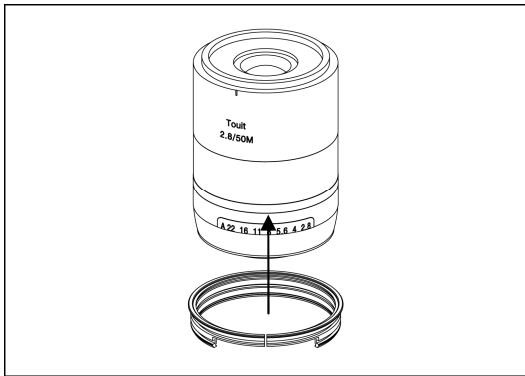


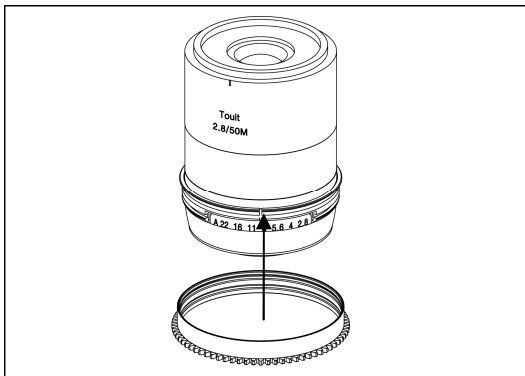
36422 XZ50-A

Aperture gear for Carl Zeiss Touit 2.8/50M (X-mount)

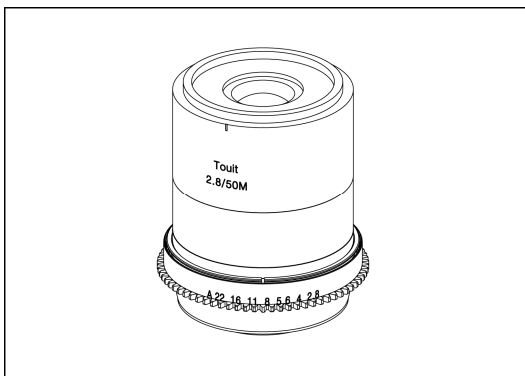
Please follow the instructions below to mount the dedicated aperture gear on the lens.



1. Insert the plastic c-ring as shown and place it over the lens aperture ring area.



2. Insert the gear of XZ50-A on the plastic c-ring until it reaches the flange of the plastic c-ring.



3. To remove the XZ50-A gear, reverse the above steps.
4. The tightness between the XZ50-A gear and the lens can be adjusted by removing or adding rubber grips on either sides of the plastic c-ring, spare rubber grips are included in the package.