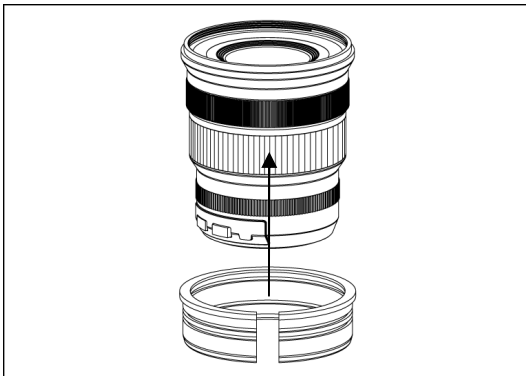


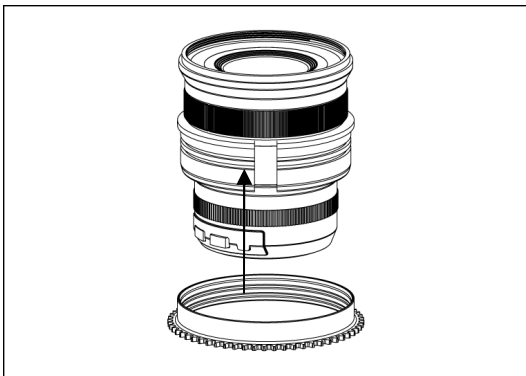
36441 X1024-Z

Zoom gear for FUJINON XF10-24mmF4 R OIS

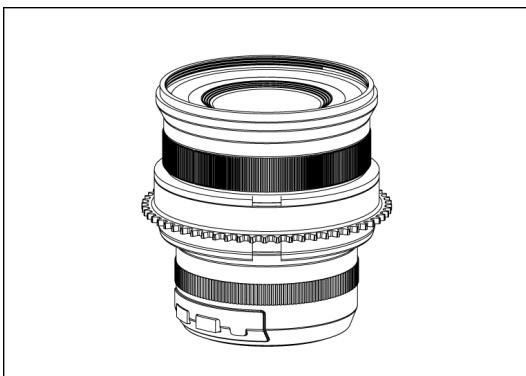
Please follow the instructions below to mount the dedicated zoom gear on the lens.



1. Insert the plastic c-ring as shown and place it over the lens zoom ring area.



2. Insert the gear of X1024-Z on the plastic c-ring until it reaches the flange of the plastic c-ring.



3. To remove the X1024-Z gear, reverse the above steps.
4. The tightness between the X1024-Z gear and the lens can be adjusted by removing or adding rubber grips on either sides of the plastic c-ring, spare rubber grips are included in the package.