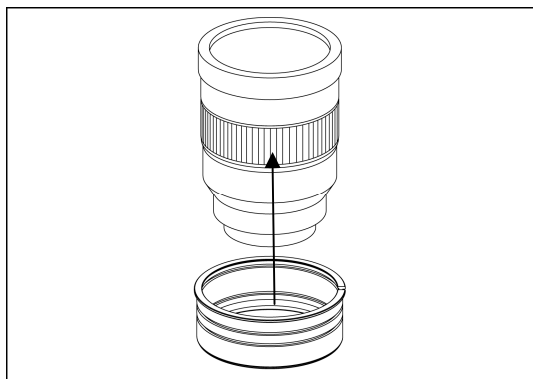


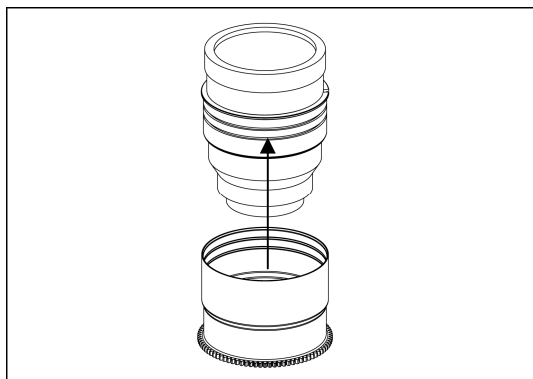
## 37145 SE1635-Z

### Zoom gear for Sony SEL1635ZVario-Tessar T\* FE 16-35mm F4 ZA OSS

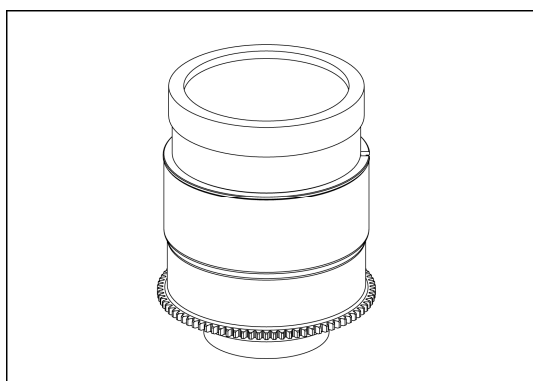
Please follow the instructions below to mount the dedicated zoom gear on the lens.



1. Insert the plastic c-ring as shown and place it over the lens zoom ring.



2. Insert the gear of SE1635-Z on the plastic c-ring until it reaches the flange of the plastic c-ring.



3. To remove the SE1635-Z gear, reverse the above steps.
4. The tightness between the SE1635-Z gear and the lens can be adjusted by removing or adding rubber grips on either sides of the plastic c-ring, spare rubber grips are included in the package.