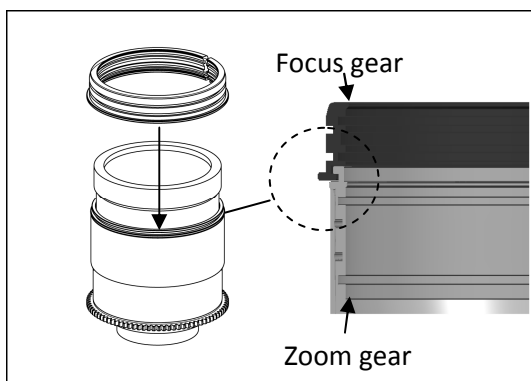


37146 SE1635-F

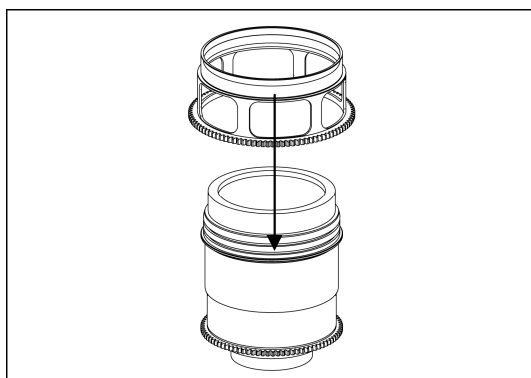
Focus gear for Sony SEL1635Z Vario-Tessar T* FE 16-35mm F4 ZA OSS

Please follow the instructions below to mount the dedicated focus gear on the lens.

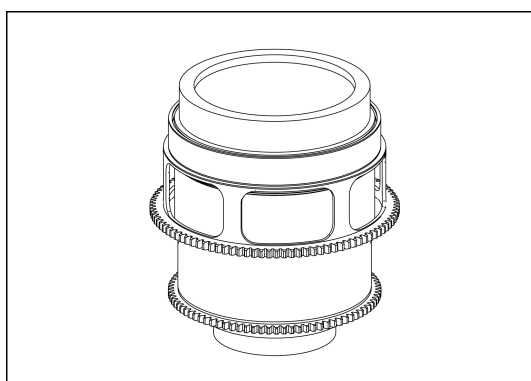


1. Mount the zoom gear (37145) to the lens, please refer to the specific manual for instructions.
2. Insert the plastic c-ring as shown and place it over the lens focus ring.

Note: the below end of the focus c-ring should be attached to top end of the zoom c-ring.



3. Insert the gear of SE1635-F on the plastic c-ring until it reaches the flange of the plastic c-ring.



4. To remove the SE1635-F gear, reverse the above steps.
5. The tightness between the SE1635-F gear and the lens can be adjusted by removing or adding rubber grips on either sides of the plastic c-ring, spare rubber grips are included in the package.