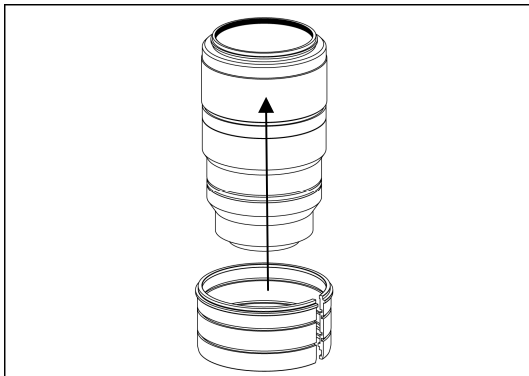


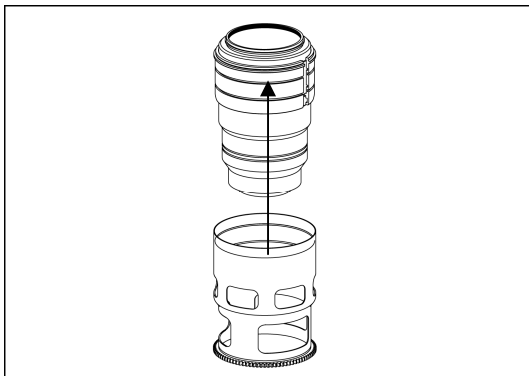
37147 SE90-F

Focus gear for Sony SEL90M28G FE 90mm F2.8 Macro G OSS

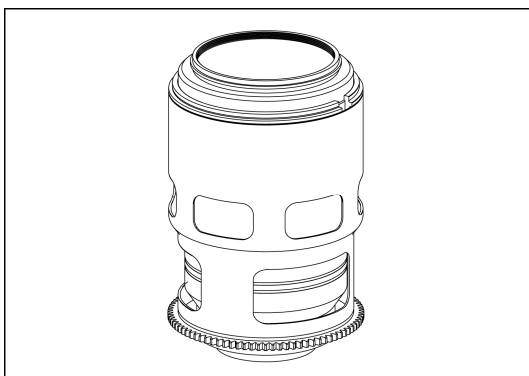
Please follow the instructions below to mount the dedicated focus gear on the lens.



1. Set the lens focus ring to "AF" position.
2. Insert the plastic c-ring as shown and place it over the lens focus ring.



3. Insert the gear of SE90-F on the plastic c-ring until it reaches the flange of the plastic c-ring.



4. To remove the SE90-F gear, reverse the above steps.
5. The tightness between the SE90-F gear and the lens can be adjusted by removing or adding rubber grips on either sides of the plastic c-ring, spare rubber grips are included in the package.