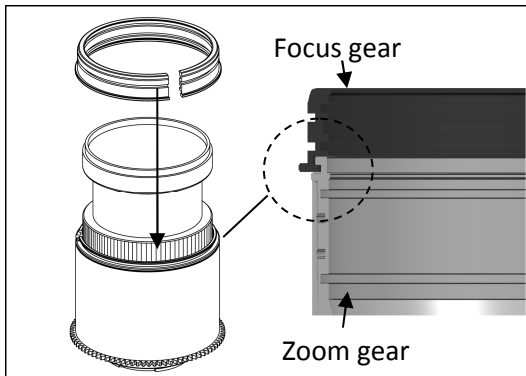


## 37148 SE2470-F

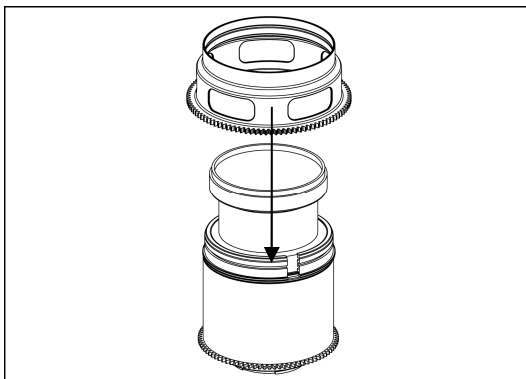
### Focus Gear for Sony SEL2470Z Vario-Tessar T\* FE 24-70mm F4 ZA OSS (to use with 37149)

Please follow the instructions below to mount the dedicated focus gear on the lens.

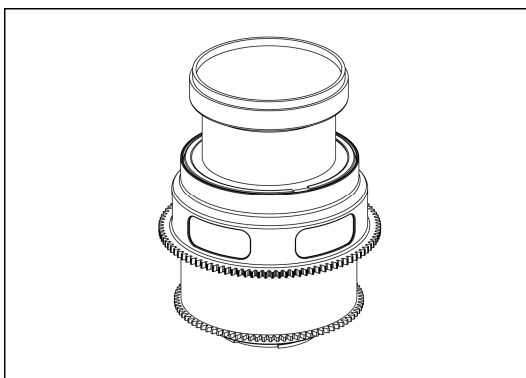


1. Mount the zoom gear (37149) to the lens, please refer to the specific manual for instructions.
2. Insert the plastic c-ring as shown and place it over the lens focus ring.

Note: the below end of the focus c-ring should be attached to top end of the zoom c-ring.



3. Insert the gear of SE2470-F on the plastic c-ring until it reaches the flange of the plastic c-ring.



4. To remove the SE2470-F gear, reverse the above steps.
5. The tightness between the SE2470-F gear and the lens can be adjusted by removing or adding rubber grips on either sides of the plastic c-ring, spare rubber grips are included in the package.