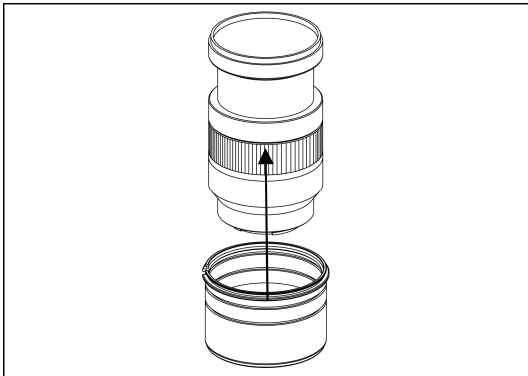


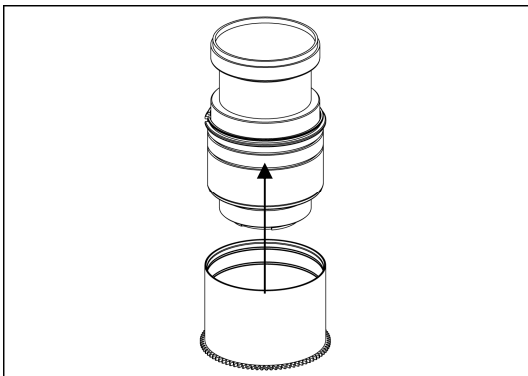
37149 SE2470-Z

Zoom Gear for Sony SEL2470Z Vario-Tessar T*
FE 24-70mm F4 ZA OSS (compatible with 37148)

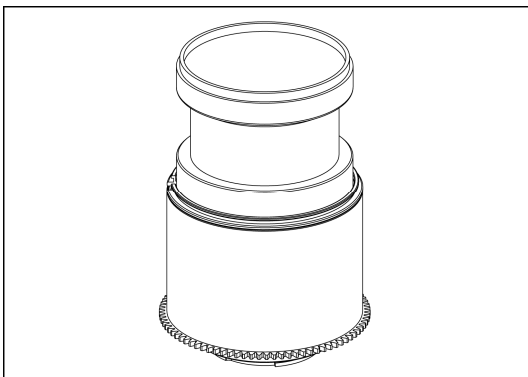
Please follow the instructions below to mount the dedicated zoom gear on the lens.



1. Insert the plastic c-ring as shown and place it over the lens zoom ring.



2. Insert the gear of SE2470-Z on the plastic c-ring until it reaches the flange of the plastic c-ring.



3. To remove the SE2470-Z gear, reverse the above steps.
4. The tightness between the SE2470-Z gear and the lens can be adjusted by removing or adding rubber grips on either sides of the plastic c-ring, spare rubber grips are included in the package.