

## **37152 SFE2470GM-F Focus Gear for Sony SEL2470GM FE 24-70mm F2.8 GM**

### Instruction Manual

#### FOREWORD

Thank you for your purchase of a NAUTICAM product.

At NAUTICAM, we pride ourselves in the ability to recognise the requirements of professional as well as amateur underwater photographers and fulfill them through the innovative designs of our products. We strive to achieve a high level of user-friendliness by allowing stress-free installation and easy operation of all important functions of the camera.

Please read this manual carefully before using the product, this will maximise its performance as well as its lifetime.

#### WARRANTY

All NAUTICAM Products are warranted against any material and manufacturing defects for two years from the date of purchase for consumer use. This warranty only applies to products purchased from authorised NAUTICAM dealers and does not extend beyond the original retail purchaser.

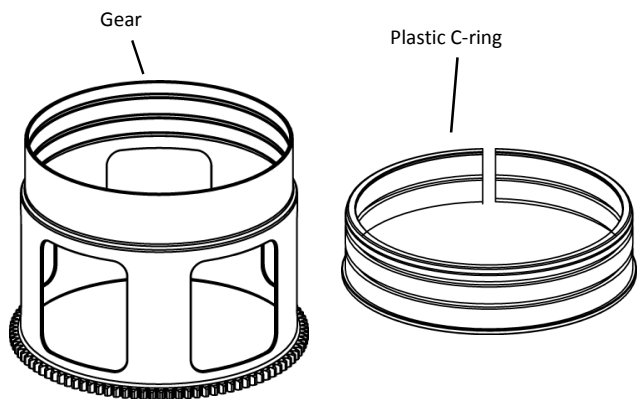
To return your product for service, please contact your regional authorized service centre(s). Please note that this warranty only applies when the product is purchased in the territory where the service centre is located.

NAUTICAM does not hold responsibility for damage, of any nature, to any equipment used with and/or placed within our products.

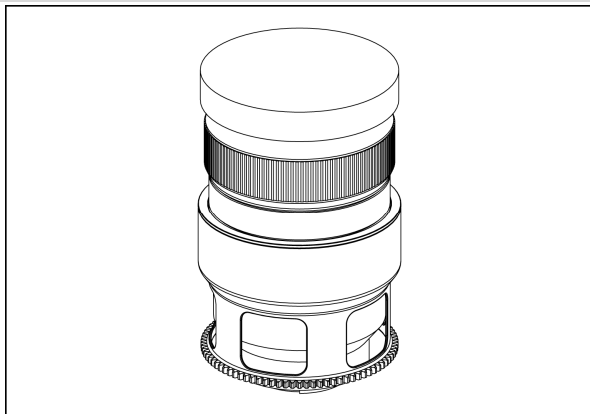
NAUTICAM accepts no liability for any loss of captured images or the inability to capture images even if it is due to the malfunctioning of our products.

Unauthorised modifications and/or repairs of our products will automatically invalidate the warranty.

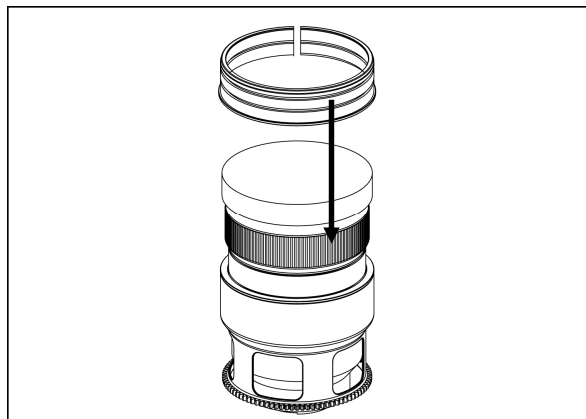
#### IDENTIFICATION OF PARTS



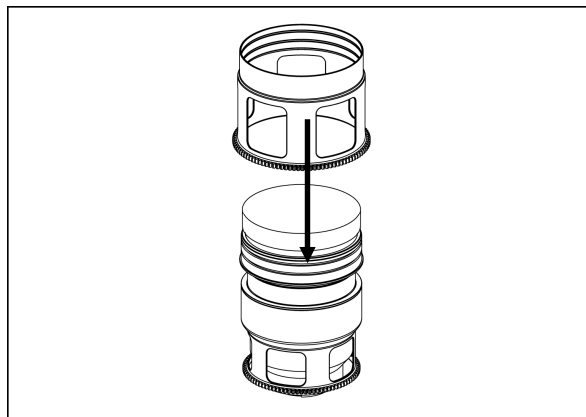
#### MOUNTING TO THE LENS



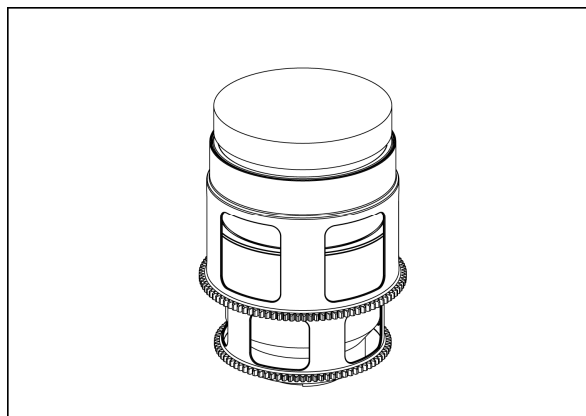
Mount the zoom gear (#37151 SFE2470GM-Z) to the lens. Please refer to the manual of #37151 for instruction.



Insert the plastic c-ring as shown and place it over the lens focus ring.



Insert the gear of SFE2470GM-F on the plastic c-ring until it reaches the flange of the plastic c-ring.



To remove the SFE2470GM-F gear, reverse the above steps.

The tightness between the SFE2470GM-F gear and the lens can be adjusted by removing or adding rubber grips on either sides of the plastic c-ring, spare rubber grips are included in the package.

#### SPECIFICATIONS

Gear Type:	Focus gear
Compatible Lens:	Sony SEL2470GM FE 24-70mm F2.8 GM