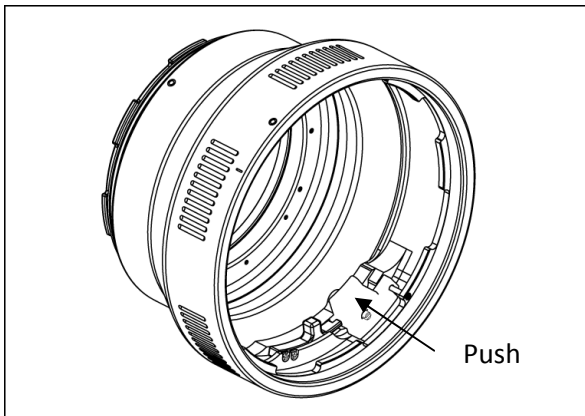


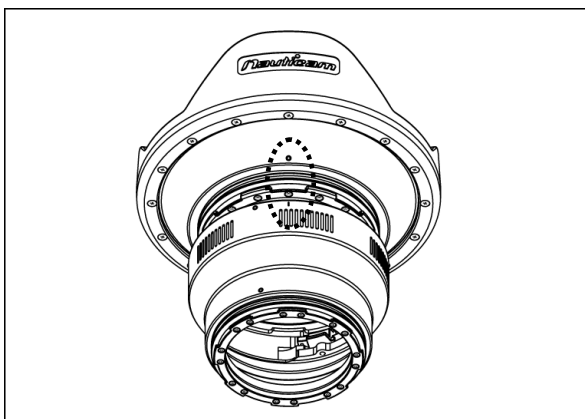
37302 N100 to N120 port adaptor with lock

for Sony SEL2470Z Vario-Tessar T FE 24-70mm F4 ZA OSS
(to use with 18809)

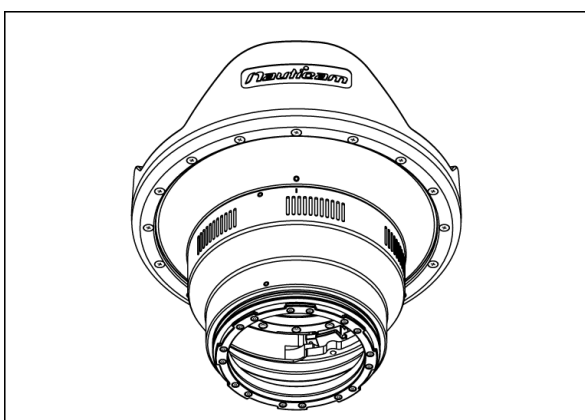
Please follow the instructions below to mount the adaptor on a port.



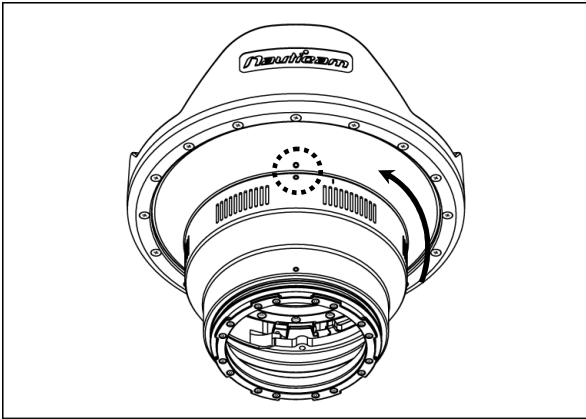
1. Push the black locking block inwards to unlock the adaptor as shown.



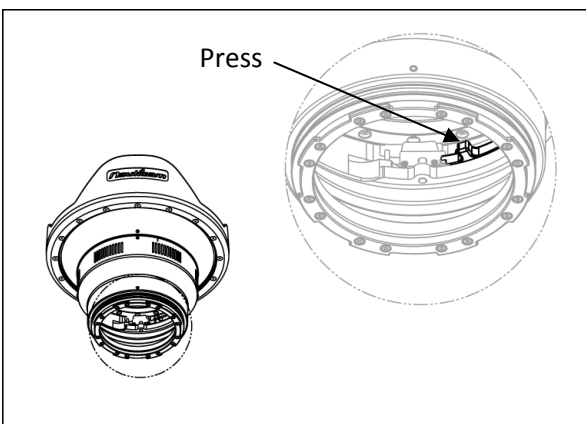
2. Align the "I" mark on the adaptor with the WHITE dot on the port.



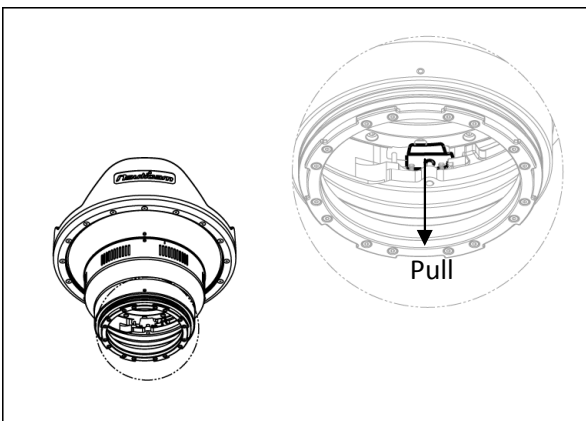
3. Gently push the adaptor towards the port until it cannot go any further.



4. Turn the adaptor clockwise until the white dot on the adaptor aligns with the white dot on the port.



5. Press the grey button as shown to lock the lock. Ensure that the adaptor is securely locked with the port.



6. To unlock, pull the black locking block towards the port opening and reverse step 4 to 1 to un-mount the port.