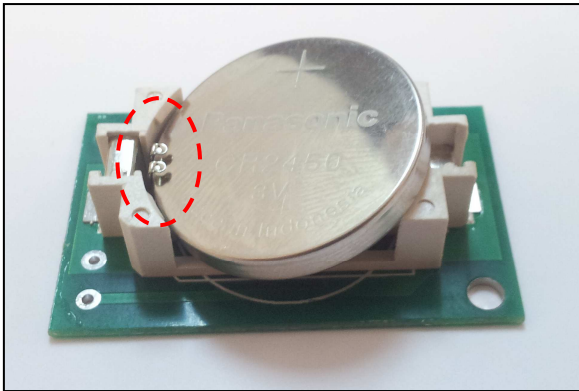


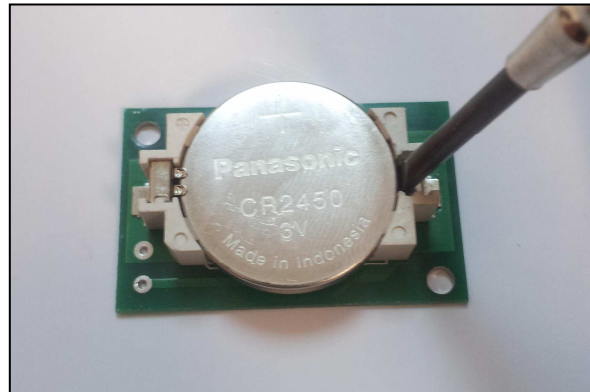
Vacuum Check and Leak Detection System

Instruction Manual

Setting up the vacuum detector with integrated moisture alarm:



1. Install the CR2450 battery provided into the battery compartment inside the rear housing. Then switch on the alarm.

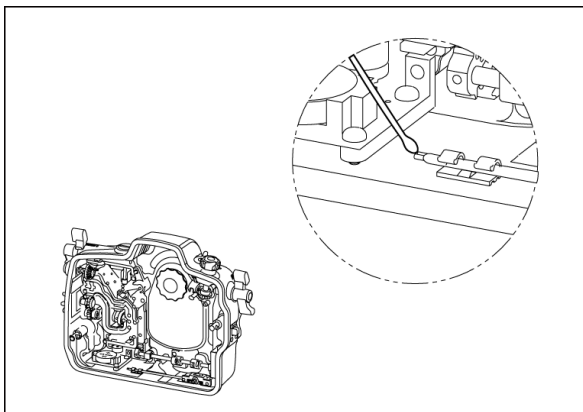


To remove the battery, use a small flat-head screwdriver to lift up the battery as shown.

Once the indicator is switched on, the LED light will turn blue for 5 seconds and goes into flashing blue light standby mode.

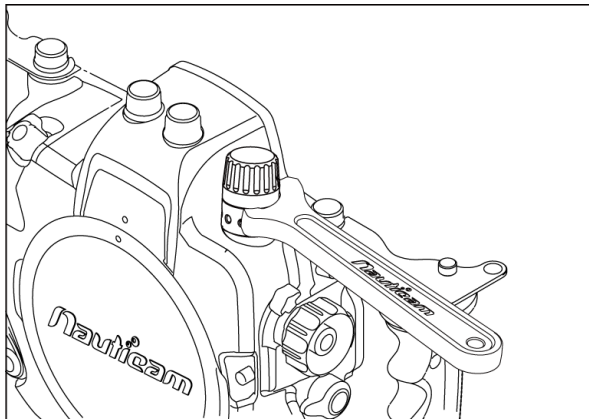
On start up:

LED indicator	Status
Flash "Blue" light once	Indicates a 2nd generation PCB
Steady "Blue" light	Battery is normal, goes into flashing "Blue" light standby mode after 5 seconds.
"Blue" and "Red" lights alternating	Battery low. Replace battery as soon as possible. Goes into standby mode after 5 seconds.
Steady "Red" light	Battery empty, replace battery.



2. Test the moisture alarm by contacting the two wires near the bottom of the housing with a damped cotton bud; the alarm should start giving out a repeating "beep" sound along with a flashing red light. The "beep" sound and the light should keep on going for 5 seconds after the removal of the damped cotton bud .

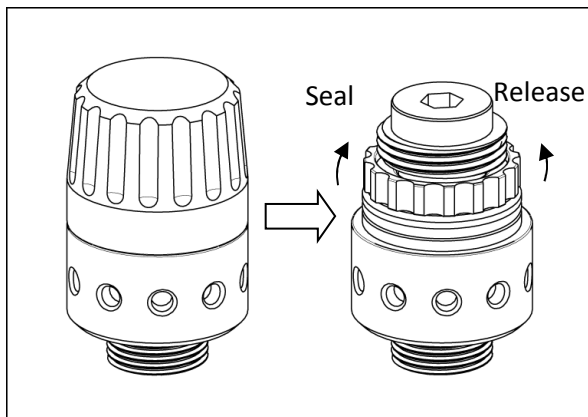
Installing vacuum valve to housing:



1. Remove the plug of the M14/M16 accessory port (or other accessory bulkhead) from the housing.
2. Tighten the vacuum valve to the housing with the tool provided.

*Please make sure the o-ring(s) is lubricated.

Building up vacuum:



1. Remove the vacuum valve cap.
2. Make sure the vacuum release ring is at its closed position by turning it clockwise until it cannot go any further.
3. Connect the hand pump (or BCD low pressure Inflator hose for dual activation vacuum valve 25613, 25623) to the vacuum valve and pump several times until it reaches the target vacuum level. The LED light will turn flashing yellow while vacuum is building up, then steady green when the target vacuum level is reached.

Caution: Please DO NOT attempt to go over the designated vacuum level, i.e. stop pumping when the LED turn green. Excessive vacuum level may lead to the malfunctioning of the camera and lens.

Attention: Although the vacuum indicator is designed to compensate for a certain amount of temperature variation, it is recommended to conduct the vacuum test in an environment where the temperature is stable.

4. After the target vacuum level is reached, i.e. steady green light, attach the cap back to the vacuum valve. It is recommended to leave the housing for at least 20mins to ensure it is sealed. If the LED light changes from steady green light to rapidly flashing yellow light, that means there is a leakage and please check every o-ring and conduct the vacuum test again.
5. Please ensure that the cap is attached back to the vacuum valve before going underwater.
6. Vacuum can be released by turning the vacuum release ring anti-clockwise.

After start up:

LED indicator	Status
Flashing "Blue" light	Standby mode. The moisture alarm is active, and the system is ready for vacuum indication whenever a vacuum is detected.
Flashing "Red" light with beeping sound	Moisture is detected.
Flashing "Yellow" light	Some vacuum is detected, target vacuum level is not reached.
Steady "Green" light	Target vacuum level is reached.
Rapidly flashing "Yellow" light	Vacuum is dropping. (Will occur only after target vacuum level is reached)
Rapidly flashing "Red" light	Vacuum is totally lost. Circuit stalled until switched off. (Will occur only after target vacuum level is reached)

Product number:

P.N.	Description
25601	Vacuum Detection/Moisture Alarm PCB set (incl. on/off switch and mount, buzzer, moisture sensor, battery holder and 4 colour LED; 2 batteries incl.)
25611	M14 Vacuum Valve
25612	M16 Vacuum Valve
25613	M16 Dual Activation Vacuum Valve (compatible with low pressure inflator hose quick disconnect)
25621	M14 Offset Connector with Vacuum Valve
25622	M16 Offset Connector with Vacuum Valve
25623	M16 Offset Connector with Dual Activation Vacuum Valve (compatible with low pressure inflator hose quick disconnect)

