

Instruction Manual for N85 Macro Port 56 with Focus Knob

PN# 36166

FOREWORD

Thank you for your purchase of a NAUTICAM product.

At NAUTICAM, we pride ourselves in the ability to recognize the requirements of professional as well as amateur underwater photographers and fulfill them through the innovative designs of our products. We strive to achieve a high level of user-friendliness by allowing stress-free installation and easy operation of all important functions of the camera.

Each product is individually inspected and water pressure tested to ensure optimum quality.

Please read this manual carefully before using the product, this will maximise its performance as well as its lifetime.

WARRANTY

All NAUTICAM Products are warranted against any material and manufacturing defects for two years from the date of purchase for consumer use. This warranty only applies to products purchased from authorised NAUTICAM dealers and does not extend beyond the original retail purchaser.

To return your product for service, please contact your regional authorized service centre(s). Please note that this warranty only applies when the product is purchased in the territory where the service centre is located.

NAUTICAM does not hold responsibility for damage, of any nature, to any equipment used with and/or placed within our products.

NAUTICAM accepts no liability for any loss of captured images or the inability to capture images even if it is due to the malfunctioning of our products.

Unauthorised modifications and/or repairs of our products will automatically invalidate the warranty.

PACKAGE CONTENTS

- Macro Port 56 with Focus Knob
- Plastic Port Cap
- Rear Port Cap
- Spare O-ring and Lubricant
- Manual Notice Card
- Port Pouch

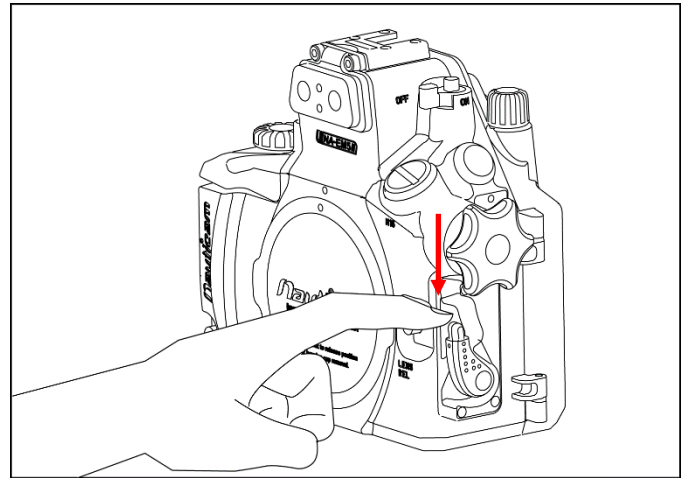
IDENTIFICATION OF PARTS



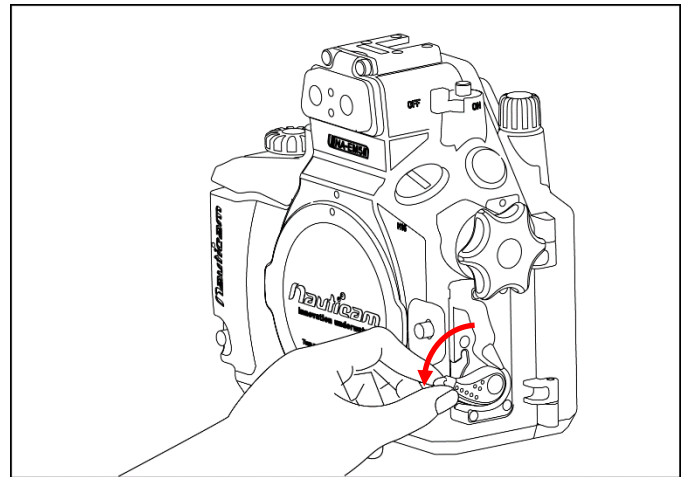
MOUNTING THE PORT

Remove the O-ring from the port, inspect for any damage and lightly coat it with the provided lubricant before placing it back into its groove.

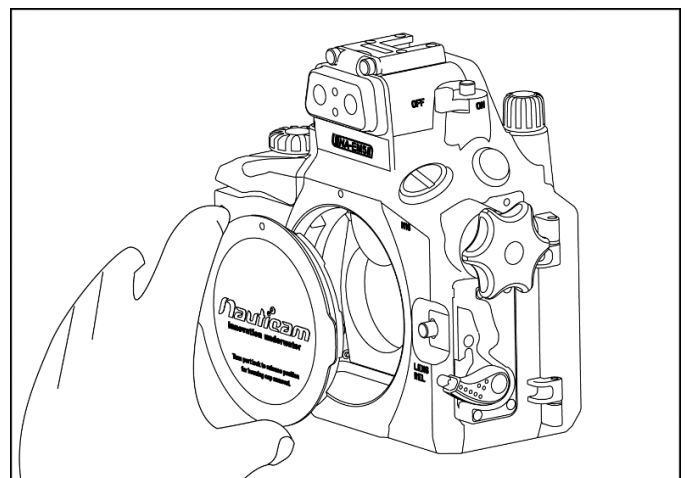
Verify that the port opening of the housing is clean and free from foreign material.



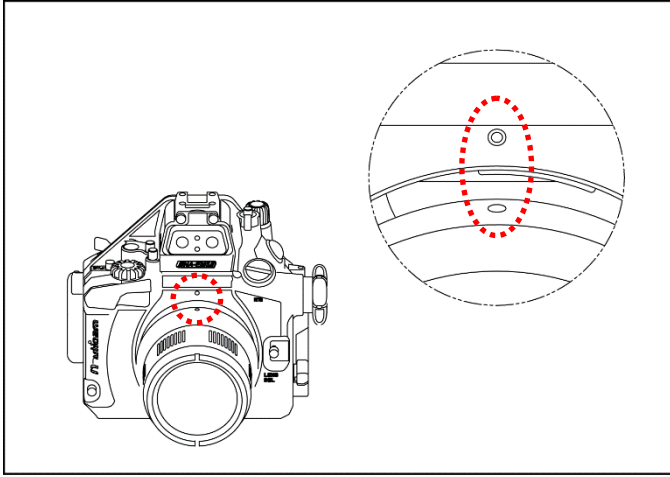
Push the safety button of the port locking lever downwards.



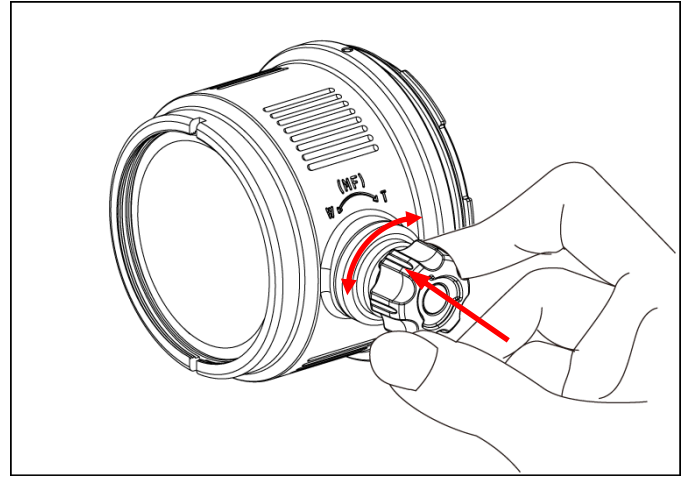
Turn the port locking lever to the release position as shown.



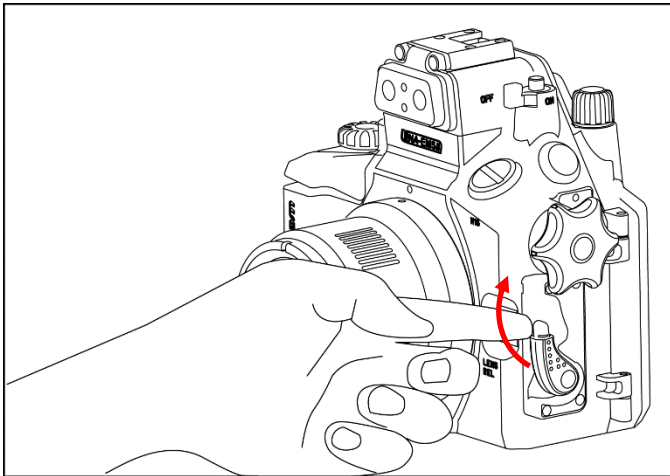
Lift housing cap.



Align the Port mounting indices of the port and the housing.
Gently push the port into the port opening of the housing, until it cannot go in any further.



Engage the gear by pushing in the knob, then turn the knob both ways to check if the lens focuses.



Lock the port into place by turning the port locking lever to the inward position. To ensure that the port is securely mounted, confirm that the green line on the safety button of the port locking lever is visible.

To remove the port from the housing, simply turn the port locking lever to the outward position and gently pull it out.

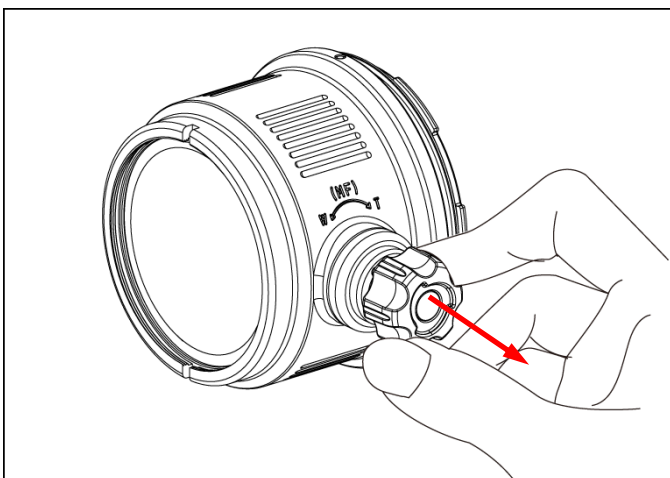
SPECIFICATIONS

Dimension:	∅ 102*91mm
Weight:	478g
Construction:	Aluminum Alloy body
Port Opening:	N85

Remark: All Nauticam product manual will be changed to e-manual in end of 2018. Please download corresponding product manuals on Nauticam.com website, or contact us for e-manuals.

--- END ---

FOR PORT WITH KNOB



Make sure the control knob is at its most outwards position before mounting/ un-mounting the port. The knob should be left at this position until it is made sure that the lens and focus gear is properly installed.