

19730 PL2470-Z Zoom Gear for Panasonic Lumix S PRO 24-70 f/2.8

Instruction Manual

FOREWORD

Thank you for your purchase of a NAUTICAM product.

At NAUTICAM, we pride ourselves in the ability to recognize the requirements of professional as well as amateur underwater photographers and fulfill them through the innovative designs of our products. We strive to achieve a high level of user-friendliness by allowing stress-free installation and easy operation of all important functions of the camera.

Please read this manual carefully before using the product, this will maximize its performance as well as its lifetime.

WARRANTY

All NAUTICAM Products are warranted against any material and manufacturing defects for two years from the date of purchase for consumer use. This warranty only applies to products purchased from authorized NAUTICAM dealers and does not extend beyond the original retail purchaser.

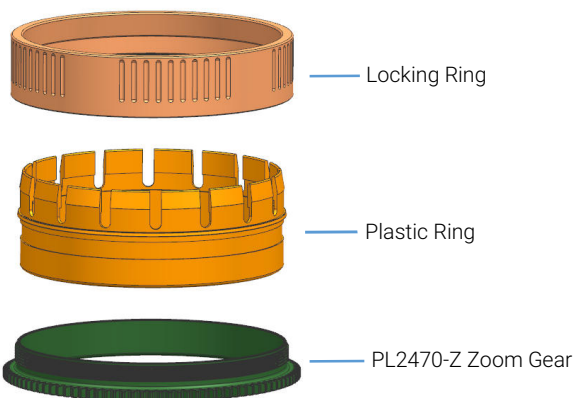
To return your product for service, please contact your regional authorized service center(s). Please note that this warranty only applies when the product is purchased in the territory where the service center is located.

NAUTICAM does not hold responsibility for damage, of any nature, to any equipment used with and/or placed within our products.

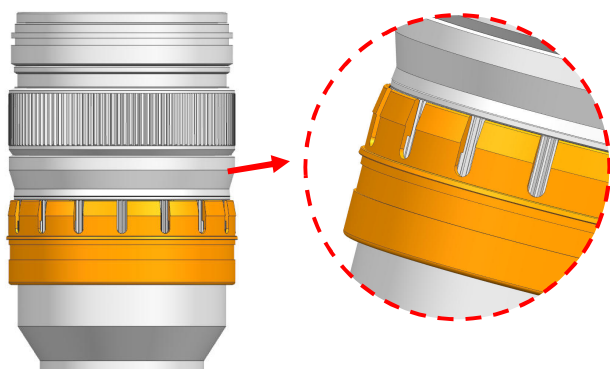
NAUTICAM accepts no liability for any loss of captured images or the inability to capture images even if it is due to the malfunctioning of our products.

Unauthorized modifications and/or repairs of our products will automatically invalidate the warranty.

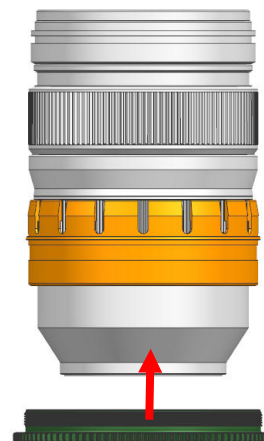
IDENTIFICATION OF PARTS



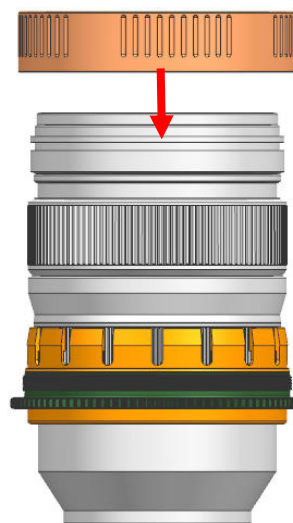
MOUNTING THE GEAR ON A LENS



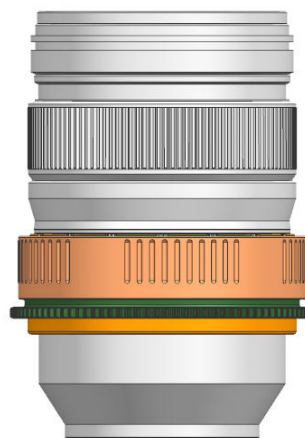
1. Insert the plastic ring as shown and place it over the lens.



2. Insert the PL2470-Z Zoom Gear on the plastic ring until it reaches the flange of the plastic ring.

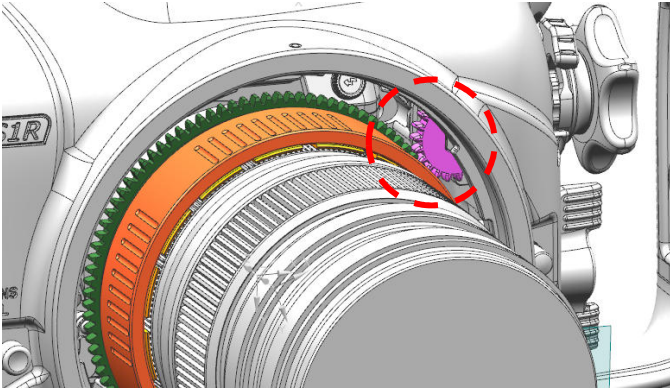


3. Place the Locking Ring over the gear and plastic ring, and screw it into the thread on the gear.



4. To remove the PL2470-Z Zoom Gear, reverse the above steps.

CONTROLLING THE GEAR



1. The PL2470-Z Zoom Gear can be controlled by zoom/focus knob of the housing.

After mount the camera and lens (with gear installed) on the housing, confirm that the zoom/focus knob operates correctly.

SPECIFICATIONS

Dimensions(mm):	DIA102.0x12.5
Type:	Zoom gear
Compatible lens:	Panasonic Lumix S PRO 24-70 f/2.8

Remark: Nauticam supports only e-manuals. Please download corresponding product manuals on Nauticam.com website, or contact us for e-manuals.