

19561 Gear for Canon EF-EOS R Control Ring Mount Adaptor

Instruction Manual

FOREWORD

Thank you for your purchase of a NAUTICAM product.

At NAUTICAM, we pride ourselves in the ability to recognize the requirements of professional as well as amateur underwater photographers and fulfill them through the innovative designs of our products. We strive to achieve a high level of user-friendliness by allowing stress-free installation and easy operation of all important functions of the camera.

Please read this manual carefully before using the product, this will maximize its performance as well as its lifetime.

WARRANTY

All NAUTICAM Products are warranted against any material and manufacturing defects for two years from the date of purchase for consumer use. This warranty only applies to products purchased from authorized NAUTICAM dealers and does not extend beyond the original retail purchaser.

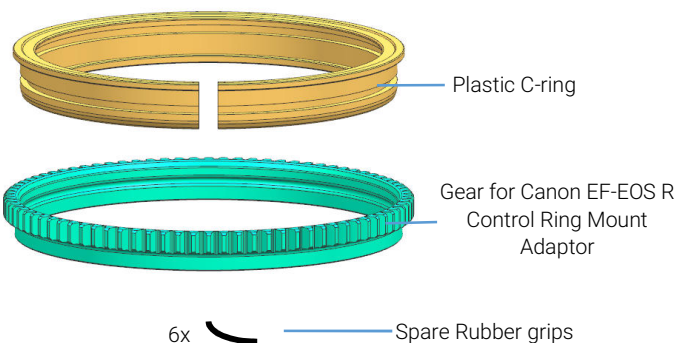
To return your product for service, please contact your regional authorized service center(s). Please note that this warranty only applies when the product is purchased in the territory where the service center is located.

NAUTICAM does not hold responsibility for damage, of any nature, to any equipment used with and/or placed within our products.

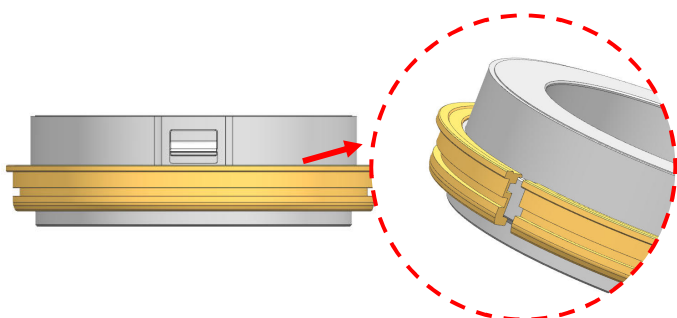
NAUTICAM accepts no liability for any loss of captured images or the inability to capture images even if it is due to the malfunctioning of our products.

Unauthorized modifications and/or repairs of our products will automatically invalidate the warranty.

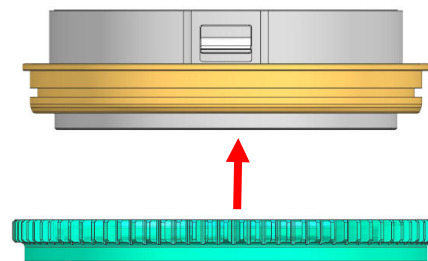
IDENTIFICATION OF PARTS



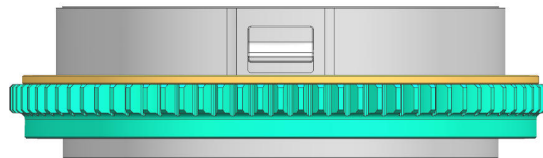
MOUNTING THE GEAR ON A LENS



1. Insert the plastic C-ring as shown and place it over the adaptor



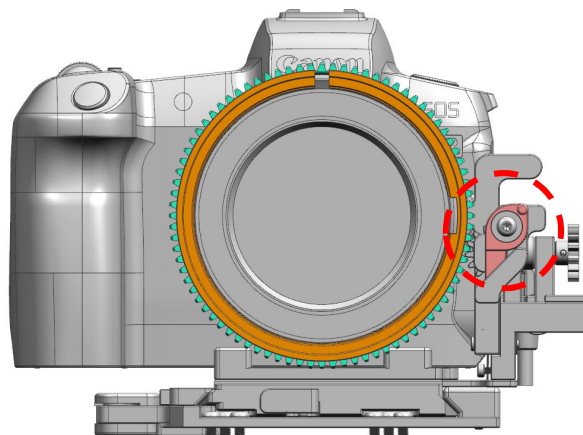
2. Insert the gear for Canon EF-EOS R Control Ring Mount Adaptor on the plastic C-ring until it reaches the flange of the plastic C-ring.



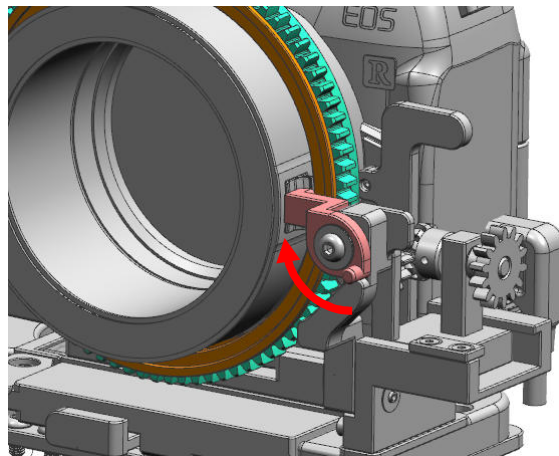
3. To remove the gear for Canon EF-EOS R Control Ring Mount Adaptor, reverse the above steps.

The tightness between the gear for Canon EF-EOS R Control Ring Mount Adaptor and the adaptor can be adjusted by removing or adding rubber grips on either sides of the plastic C-ring, spare rubber grips are included in the package.

MOUNTING ON THE CAMERA TRAY

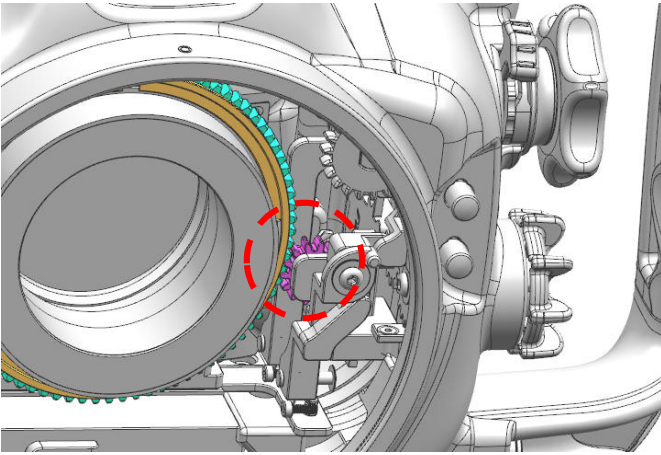


1. Before mount the camera and adaptor (with gear installed) on the camera tray, make sure the marked/highlighted lever is downward as shown.



2. After mount the camera with adaptor, turn the highlighted lever clockwise as shown.

CONTROLLING THE GEAR



1. The gear for Canon EF-EOS R Control Ring Mount Adaptor can be controlled by the front dial of the housing.

After mount the camera and adaptor (with gear installed) on the housing, confirm that the front dial operates correctly.

SPECIFICATIONS

Dimensions(mm):	DIA86.0×8.5
Type:	Gear
Compatible adaptor:	Canon EF-EOS R Control Ring Mount Adaptor
Compatible housings:	17329 NA-R housing for Canon EOS R 17333 NA-R5 housing for Canon EOS R5 17334 NA-R6 housing for Canon EOS R6

Remark: Nauticam supports only e-manuals. Please download corresponding product manuals on [Nauticam.com](https://www.nauticam.com) website, or contact us for e-manuals.