

## 28137 Shade for 230mm Optical Glass Fisheye Dome Port II

Instruction Manual

### FOREWORD

Thank you for your purchase of a NAUTICAM product.

At NAUTICAM, we pride ourselves in the ability to recognize the requirements of professional as well as amateur underwater photographers and fulfill them through the innovative designs of our products. We strive to achieve a high level of user-friendliness by allowing stress-free installation and easy operation of all important functions of the camera.

Please read this manual carefully before using the product, this will maximize its performance as well as its lifetime.

### WARRANTY

All NAUTICAM Products are warranted against any material and manufacturing defects for two years from the date of purchase for consumer use. This warranty only applies to products purchased from authorized NAUTICAM dealers and does not extend beyond the original retail purchaser.

To return your product for service, please contact your regional authorized service center(s). Please note that this warranty only applies when the product is purchased in the territory where the service center is located.

NAUTICAM does not hold responsibility for damage, of any nature, to any equipment used with and/or placed within our products.

NAUTICAM accepts no liability for any loss of captured images or the inability to capture images even if it is due to the malfunctioning of our products.

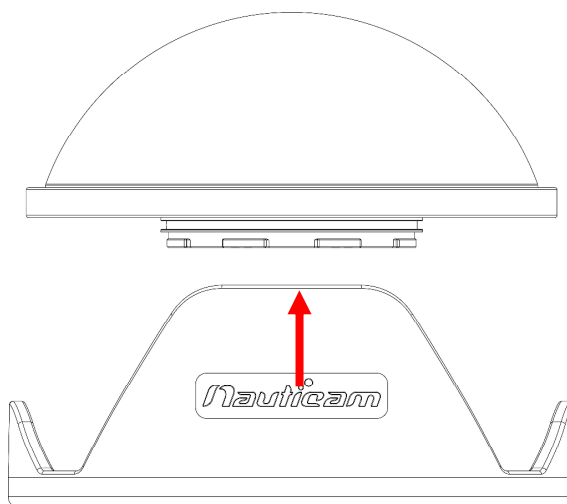
Unauthorized modifications and/or repairs of our products will automatically invalidate the warranty.

### IDENTIFICATION OF PARTS

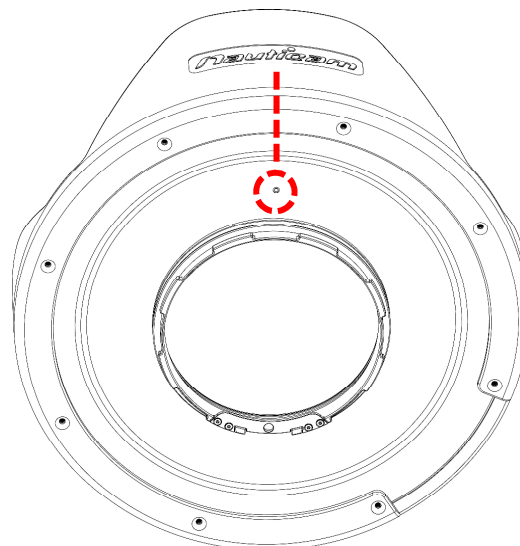
28137 Shade for 230mm Optical Glass Fisheye Dome Port II



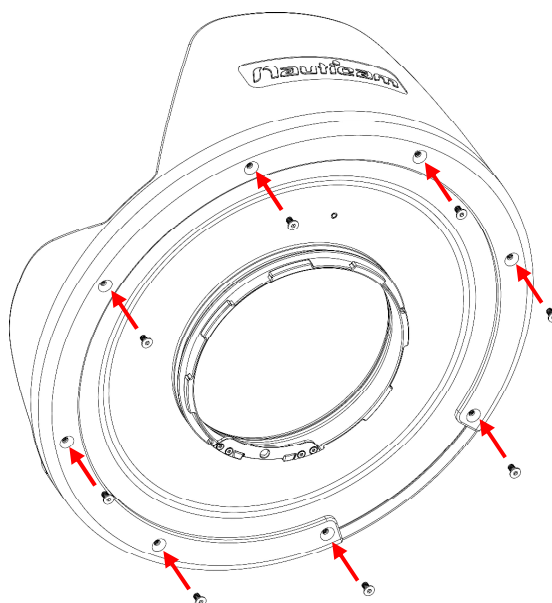
### MOUNTING THE SHADE ON THE DOME PORT



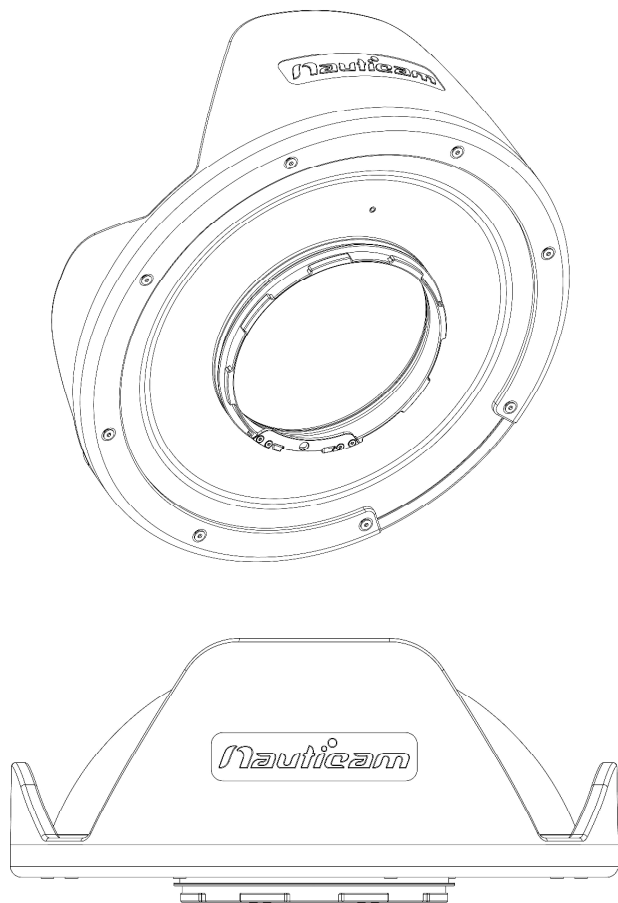
1. Mount the shade on the 230mm Optical Glass Fisheye Dome Port II as shown above.



2. Align the 'O' alignment mark on the dome port and Nauticam logo on the shade.



3. Secure it by using eight screws provided.



4. To remove the shade, reverse the above steps.

## SPECIFICATIONS

**28137** SHADE FOR 230MM OPTICAL GLASS FISHEYE DOME PORT II

Dimensions(mm):	DIA259.6×102.0
Compatible dome port	18812 230mm Optical Glass Fisheye Dome Port II

Remark: Nauticam supports only e-manuals. Please download corresponding product manuals on [Nauticam.com](http://Nauticam.com) website, or contact us for e-manuals.