

## **21140 Extension Ring 40 with Lock**

Instruction Manual

### **FOREWORD**

Thank you for your purchase of a NAUTICAM product.

At NAUTICAM, we pride ourselves in the ability to recognise the requirements of professional as well as amateur underwater photographers and fulfill them through the innovative designs of our products. We strive to achieve a high level of user-friendliness by allowing stress-free installation and easy operation of all important functions of the camera.

Each product is individually inspected and water pressure tested to ensure optimum quality.

Please read this manual carefully before using the product, this will maximise its performance as well as its lifetime.

### **WARRANTY**

All NAUTICAM Products are warranted against any material and manufacturing defects for two years from the date of purchase for consumer use. This warranty only applies to products purchased from authorised NAUTICAM dealers and does not extend beyond the original retail purchaser.

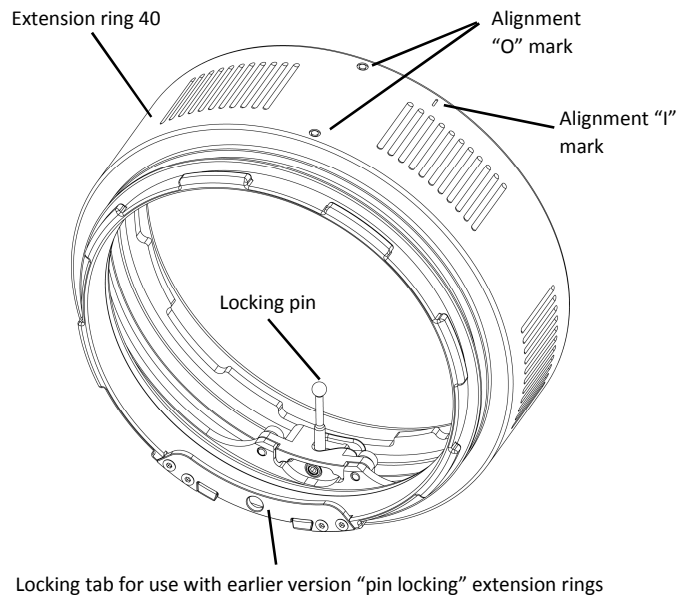
To return your product for service, please contact your regional authorized service centre(s). Please note that this warranty only applies when the product is purchased in the territory where the service centre is located.

NAUTICAM does not hold responsibility for damage, of any nature, to any equipment used with and/or placed within our products.

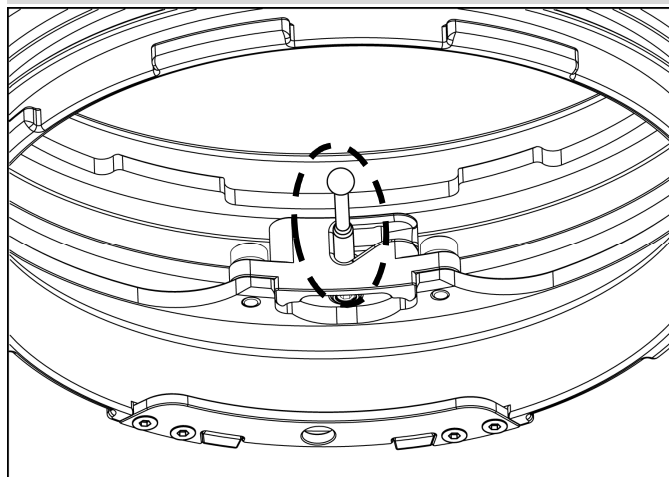
NAUTICAM accepts no liability for any loss of captured images or the inability to capture images even if it is due to the malfunctioning of our products.

Unauthorised modifications and/or repairs of our products will automatically invalidate the warranty.

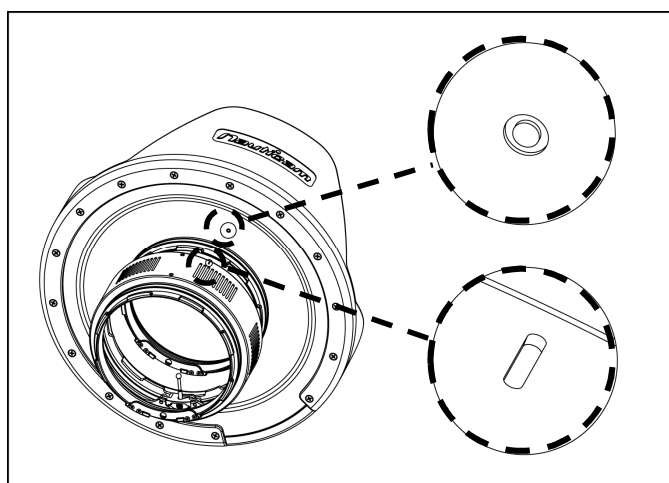
### **IDENTIFICATION OF PARTS**



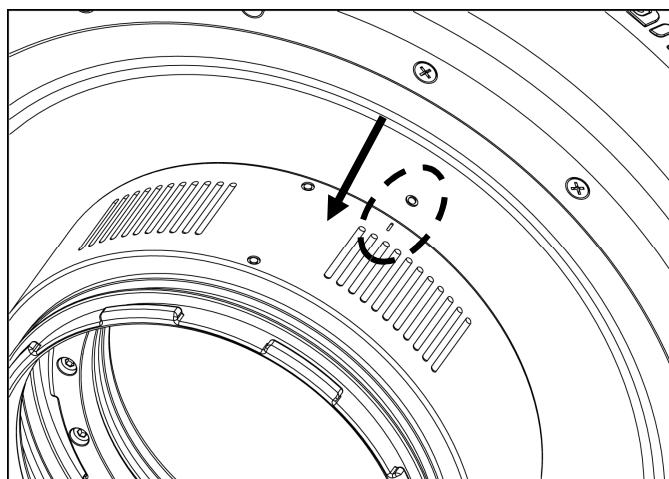
### **MOUNTING THE EXTENSION RING ON A PORT**



Confirm that the extension ring is unlocked, with the locking pin pointing upwards as shown.



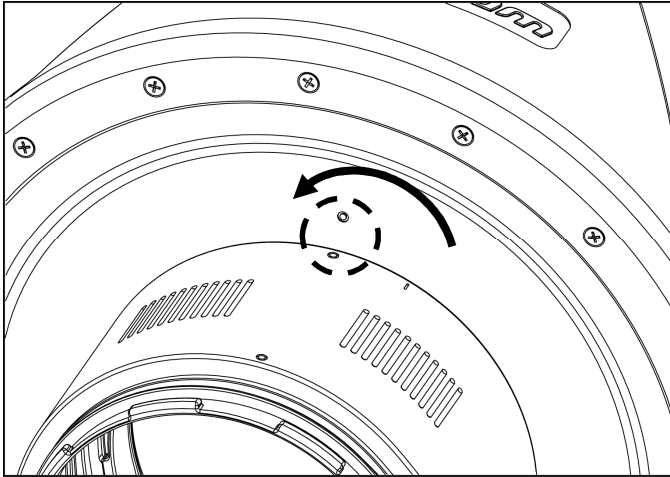
Align the "I" mark on the extension ring with the WHITE dot on the port.



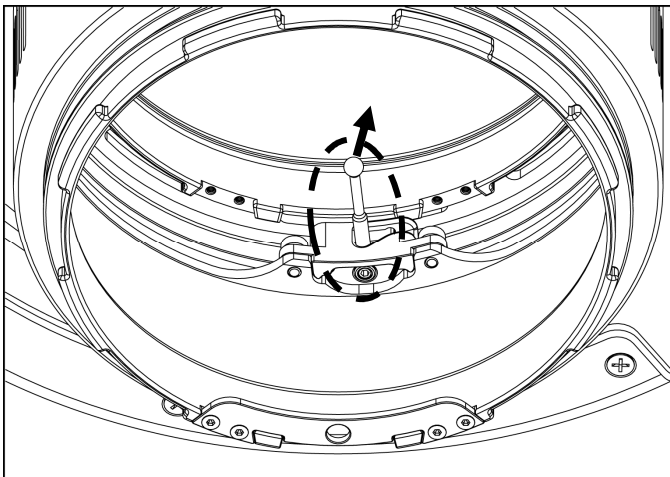
Gently push the extension ring towards the port until it cannot go any further.

--- continue on next page ---

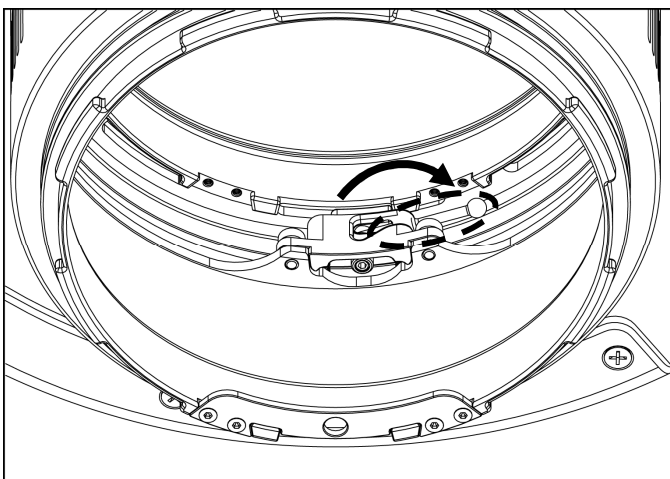
--- continued from front page ---



Turn the extension ring clockwise until the white dot on the extension ring aligns with the white dot on the port.



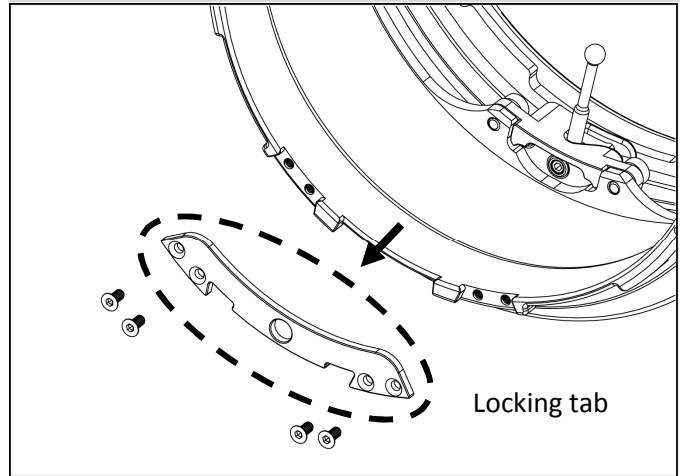
To lock the extension ring, push the locking pin inwards.



Turn the locking device sideways into the recess. Ensure that the locking device is secured inside the recess and the extension ring is securely locked with the port.

To unlock, insert a small screwdriver into the recess to lift the locking device, then reverse the above procedures.

## COMPATIBILITY



This extension ring is backwards compatible with other N120 extension rings. A user installable locking tab is pre-installed for this purpose.

Remove the locking tab when using large diameter lenses like Canon 11-24mm lens.

## SPECIFICATIONS

Dimensions:	Dia132mm x 54mm
Internal Diameter:	Dia109mm
Extension Length:	40mm
Port Mount:	N120
Weight:	Approx. 0.24kg
Depth Rating:	150m