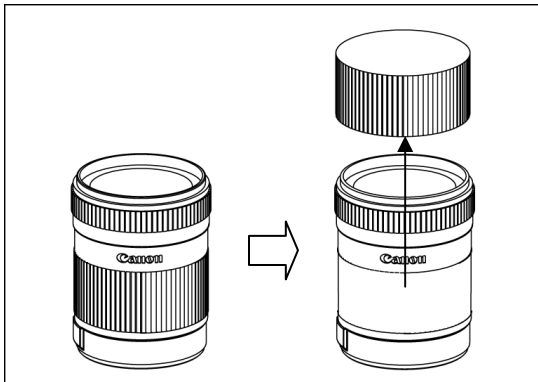


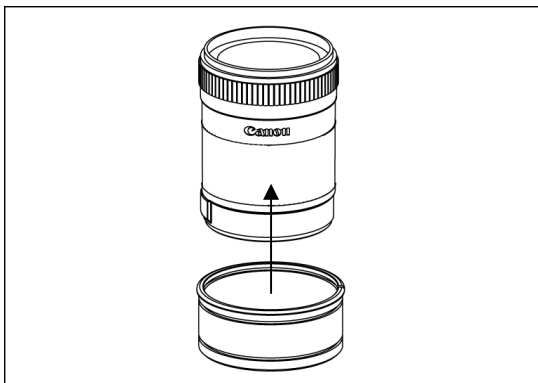
## C18135IS-Z

### Zoom gear for Canon EF-S 18-135mm f/3.5-5.6 IS

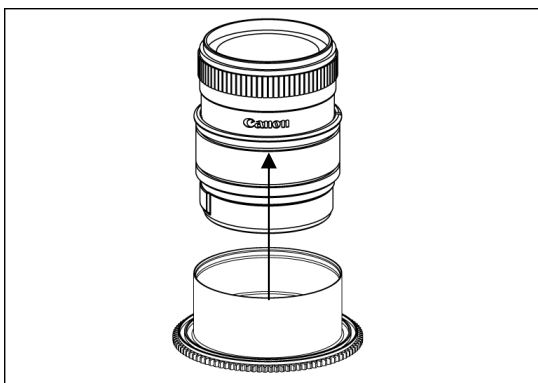
Please follow the instructions below to mount the dedicated zoom gear on the lens.



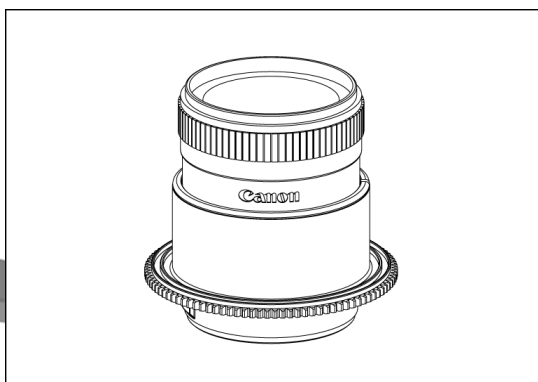
1. Remove the rubber ring from the lens carefully.



2. Insert the plastic c-ring as shown and place it onto the rubber ring recess of the lens.



3. Insert the gear of C18135IS-Z on the plastic c-ring until it reaches the flange of the plastic c-ring.



4. To remove the C18135IS-Z gear, reverse the above steps.
5. The tightness between the C18135IS-Z gear and the lens can be adjusted by removing or adding rubber grips on either sides of the plastic c-ring, spare rubber are included in the package.