

INSTRUCTION MANUAL

for

WIDE ANGLE CONVERSION PORT - 2 (WACP-2)

140 DEG. FOV WITH COMPATIBLE 14MM LENSES

(incl. float collar)

PN# 85204

FOREWORD

Thank you for your purchase of a NAUTICAM product.

At NAUTICAM, we pride ourselves in the ability to recognize the requirements of professional as well as amateur underwater photographers and fulfill them through the innovative designs of our products. We strive to achieve a high level of user-friendliness by allowing stress-free installation and easy operation of all important functions of the camera.

Each product is individually inspected and water pressure tested to ensure optimum quality.

Please read this manual carefully before using the product, this will maximize its performance as well as its lifetime.

Product illustration used in this manual may differ from actual product.

TABLE OF CONTENTS

WARRANTY	2
SPECIFICATIONS	3
PRECAUTIONS	4
CARE AND MAINTENANCE	4
PACKAGE CONTENTS	5
IDENTIFICATION OF PARTS	5
PREPARATION OF THE HOUSING AND LENS PORT	6
TRANSPORTING THE LENS	6
REMOVING LENS CAP	7
INSTALLING ON A HOUSING	8
MOUNTING WITH AN ADAPTOR / EXTENSION RING	9
ADJUSTING SHADE ANGLE	10
WACP-2 COMPATIBLE CHART	11

WARRANTY

All NAUTICAM Housing Products and Viewfinders are warranted against any material and manufacturing defects for two years from the date of purchase for consumer use. NAUTICAM Optical Accessories are warranted against material and manufacturing defects for a period of one year, and HDMI cables carry a year warranty.

This warranty only applies to products purchased from authorized NAUTICAM dealers and does not extend beyond the original retail purchaser.

To return your product for service, please contact your regional authorized service center(s). Please note that this warranty only applies when the product is purchased in the territory where the service center is located.

NAUTICAM does not hold responsibility for damage, of any nature, to any equipment used with and/or placed within our products.

NAUTICAM accepts no liability for any loss of captured images or the inability to capture images even if it is due to the malfunctioning of our products.

Unauthorized modifications and/or repairs of our products will automatically invalidate the warranty.

SPECIFICATIONS

Outer diameter x Length	DIA267 mm x 220 mm
Weight (air / uw)	7.35kg/0.27kg
Body construction	Hard-anodized aluminum alloy
Lens construction	4 elements
Lens coatings	Inside anti-reflective coating
Focal range	0~Infinity
Maximum FOV (UW)	140° (Ref. 14mm equivalent on full-frame camera)
Mount system	N120
Depth rating	100m
Pre-installed	Aluminum float collar integrated
Adjustable Shade	Adjustable shade with knob

PRECAUTIONS

The following procedures are advised to be followed:

- Soak housing along with the WACP-2 in fresh water a few minutes after each time, the lens port surface and body should be rinsed thoroughly in fresh water.
- Dry and clean the glass surface of the WACP-2 with the cloth provided.
- Cover the lens with the provided hard cover when not in use.
- DO NOT use any kind of abrasive solutions to clean the glass surfaces.
- Do not store the WACP-2 in an environment of high humidity, extreme temperatures, and direct sunlight.
- Do not point the housing set up and lens directly at the sun.
- Keep out of reach of children, failure to do so could result in injury.
- Defective products should be shipped to our distributors for service, unauthorized disassembling and/or modifications could result in malfunction or leakage.
- Never jump in the water holding your housing and lens. Always have the housing set up handed to you.
- Hold both lens grips securely before transporting the WACP-2 lens around.

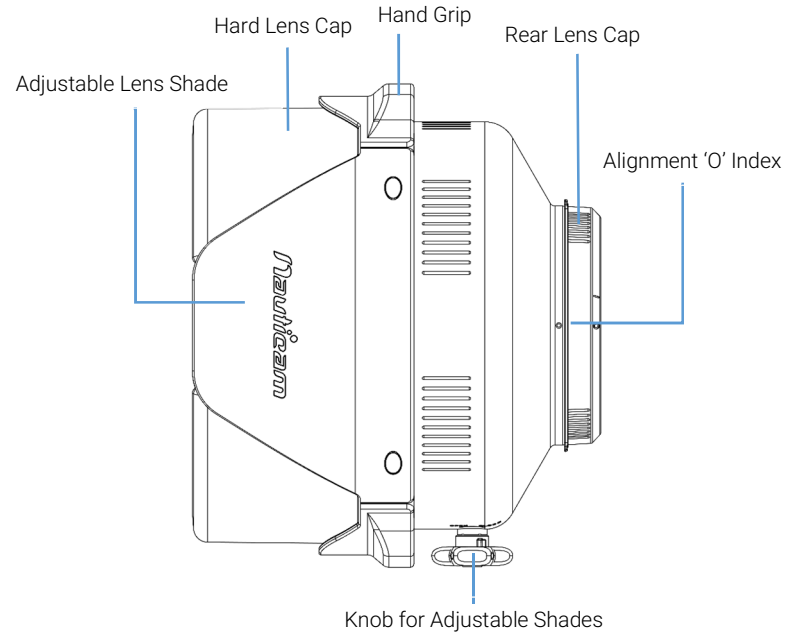
CARE AND MAINTENANCE

- Store the housing and WACP-2 in a robust, shock-proof container during transportation; avoid transporting the lens with the housing sealed.
- When travelling by air, it is important that the housing is not sealed. Either remove the O-rings, the port, or leave the back of the housing open.
- Change lens port in a dry, calm, sheltered area.
- After opening the housing or unmounting WACP, wipe off water on the O-ring with a microfiber towel. Avoid droplets into the lens port.
- Examine the O-ring and sealing surfaces carefully before closing the housing.
- Do a vacuum test 30~40 mins before the next dive to make sure the system is intact. Make sure the vacuum valve cap is on.
- A damaged O-ring should be discarded immediately and replaced only with one that is provided by NAUTICAM.
- Replace the main O-ring annually.

PACKAGE CONTENTS

- Wide Angle Conversion Port - 2 (WACP-2)
- Hard Lens Cap
- Rear Lens Cap
- 90140 Spare O-ring
- Cleaning Cloth
- Padded Carrying Bag

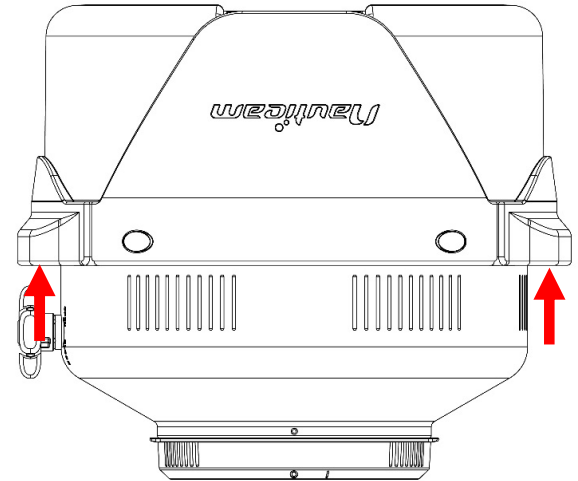
IDENTIFICATION OF PARTS



PREPARATION OF THE HOUSING AND LENS PORT

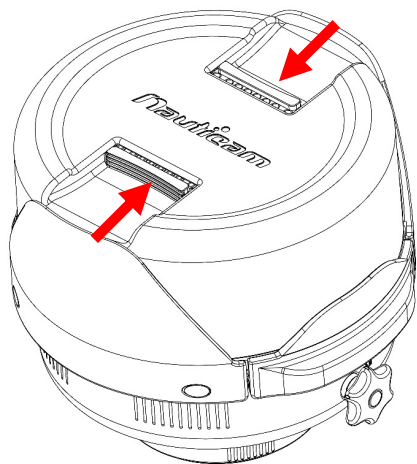
1. After verifying that the main O-ring of the housing and lens port are in good condition, lightly coat it with the lubricant provided.
2. Make sure the O-ring grooves located in the front part of the housing and rear part of the lens port are free from any foreign material; the groove can be cleaned with the aid of a microfiber cloth.
3. Place the main O-ring into the groove by gently pushing it, first at the corners, then the whole perimeter.

TRANSPORTING THE LENS

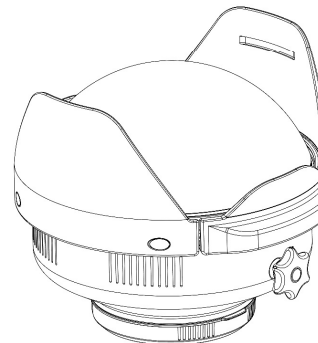
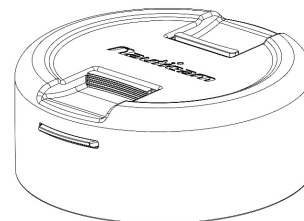


1. Use both hand grips to transport the lens, be cautious with the weight.

REMOVING LENS CAP



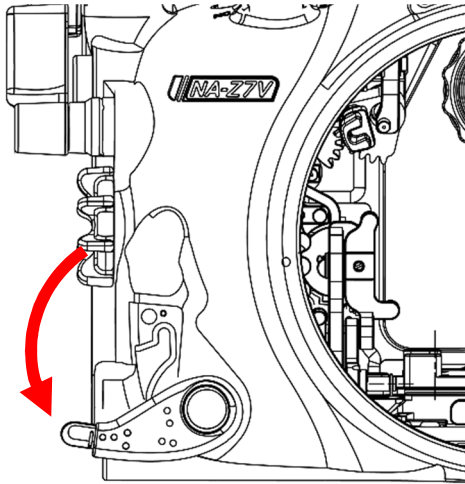
1. Press the snap-on center-pinch to remove the lens cap as shown.



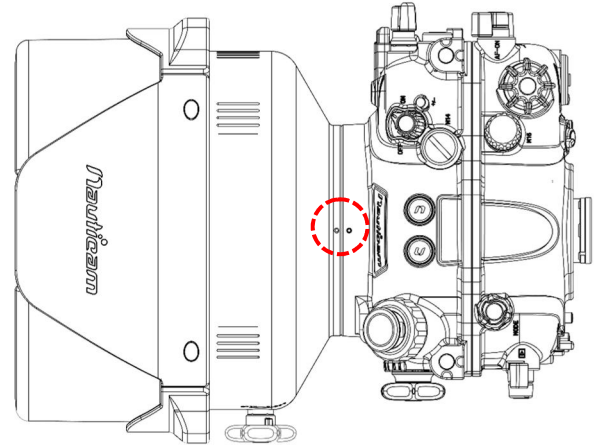
2. Then, lift the front hard lens cap up.

To cover the cap on WACP-2, reverse the above steps.

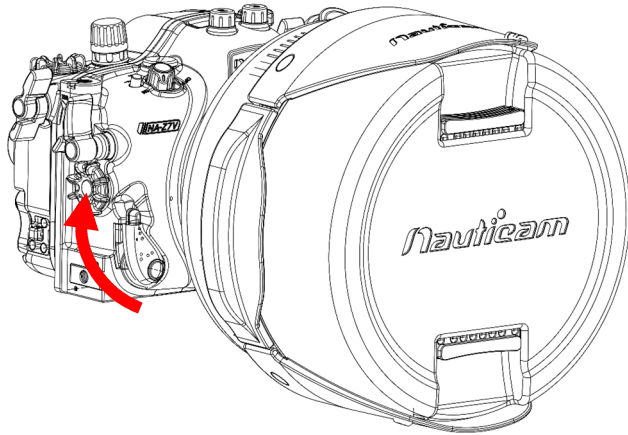
INSTALLING ON A HOUSING



1. Make sure that the port locking lever of the housing is on the release position as shown.

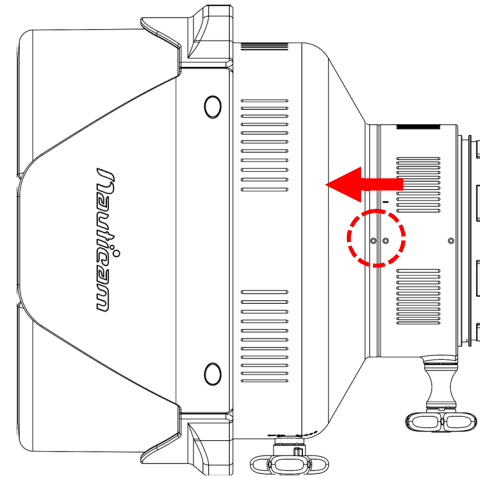


2. Align the 'O' index on the lens and the housing. Then, gently push the housing, until it cannot go in any further.



3. Lock the port into place by turning the port locking lever to the inward position. To ensure that the port is securely mounted, confirm that the green line on the safety button of the port locking lever is visible.

To remove the port from the housing, simply turn the port locking lever to the outward position and gently pull it out.

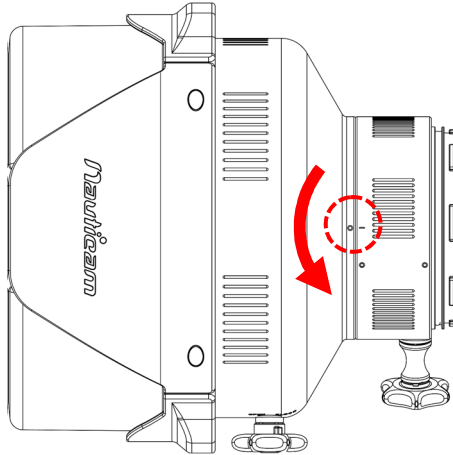


1. Confirm that the adaptor / extension ring is unlocked. (Please refer to the corresponding manual for adaptor / extension ring installation.)

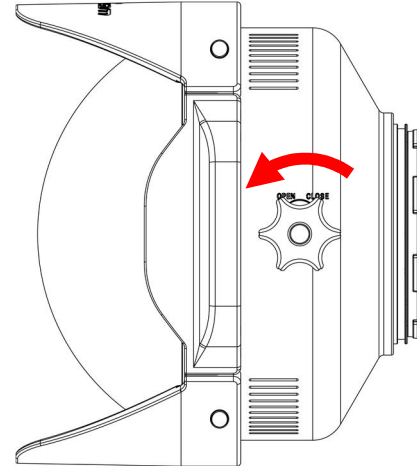
Align the '0' index on the lens port with the '1' index on the adaptor / extension ring.

Gently push the adaptor/extension ring towards the WACP-2 until it cannot go any further.

ADJUSTING SHADE ANGLE

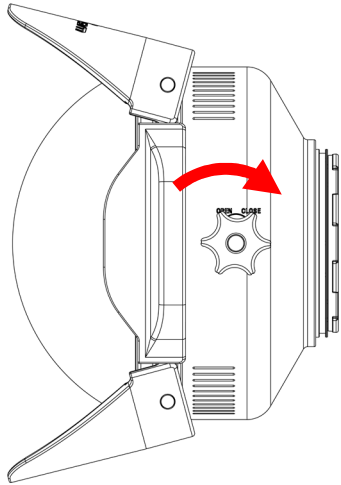


2. Turn the adaptor/extension ring until the 'O' index on the lens aligns with the 'I' index on the adaptor / extension ring.
3. To un-mount the lens from adaptor/extension ring, reverse the above steps.



1. Rotate the knob for shades 180° counterclockwise as shown.

Ensure to fully open shades of WACP-2 to use wide angle



2. To close the shades, re-rotate the knob for shades 180° clockwise as shown.

WACP-2 Compatible Chart as of Mar 2020

Port System	Camera Mount	Compatible Cameras	Compatible Lenses	Angle of View	Working Focal Range
N120 Nikon	F mount	<i>Nikon D750/D5/D6/D500/D7500 /D850/D780/etc.</i>	Nikon AF-S 17-35mm f/2.8D IF-ED	72°-123°	Full 17-35 mm
			Nikon AF-S NIKKOR 16-35mm f/4G ED VR	72°-128°	Full 16-35 mm
	Z mount	Nikon Z6/Z7	Nikkor Z 14-30mm f/4 S	81°-140°	Full 14-30 mm
N120 Canon	EF mount	<i>Canon 1DX/1DXII/1DXIII/7DII/5DSR /5DIV/6DII/80D/etc.</i>	Canon EF 16-35mm f/2.8L II USM	72°-128°	Full 16-35 mm
			Canon EF 16-35mm f/2.8L III USM	72°-128°	Full 16-35 mm
			Canon EF 16-35mm F4L IS USM	72°-128°	Full 16-35 mm
	R mount	Canon EOS R	Canon RF 15-35mm f/2.8L IS USM	72°-128°	Full 15-35 mm
N120 Panasonic	L mount	Panasonic S1H/S1R	Panasonic Lumix S PRO 16-35mm f/4	72°-128°	Full 16-35 mm
			Sigma 14-24mm F2.8 DG	98°-115°	20-24mm
N100 Sony	E mount	<i>Sony A7/A7R/A7II/A7RII/A7RIII /A7RIV/A9/A9II</i>	Sony SEL1635GM FE 16-35mm F2.8 GM	72°-128°	Full 16-35 mm
			Sony SEL1635Z Vario-Tessar T* FE 16-35mm F4 ZA OSS	72°-128°	Full 16-35 mm
			Tamron 17-28mm f/2.8 Di III RXD	85°-123°	Full 17-28 mm
			Sigma 14-24mm F2.8 DG DN	98°-115°	20-24mm
N120 Cinema	Canon EF mount	<i>Canon C200 Panasonic AU-EVA1 RED Epic & Scarlet/ DSMC2</i>	Canon EF 16-35mm f/2.8L III USM	72°-128°	Full 16-35 mm
			Canon EF 16-35mm f/2.8L II USM	72°-128°	Full 16-35 mm
			Canon EF 16-35mm F4L IS USM	72°-128°	Full 16-35 mm
N120 Fujifilm	GF mount	<i>Fujifilm GFX 50S/GFX 100</i>	FUJINON GF 23mmF4 R LM WR	120°	23 mm

Please visit www.nauticam.com/ for the latest WACP-2 compatibility chart.