

Instruction Manual for Viewfinder Collar Adaptor for 32211/2/3/4 to use with MIL

Housings

P.N. 32215

FOREWORD

Thank you for your purchase of a NAUTICAM product.

At NAUTICAM, we pride ourselves in the ability to recognise the requirements of professional as well as amateur underwater photographers and fulfill them through the innovative designs of our products. We strive to achieve a high level of user-friendliness by allowing stress-free installation and easy operation of all important functions of the camera.

Each product is individually inspected and water pressure tested to ensure optimum quality.

Please read this manual carefully before using the product, this will maximise its performance as well as its lifetime.

WARRANTY

All NAUTICAM Products are warranted against any material and manufacturing defects for two years from the date of purchase for consumer use. This warranty only applies to products purchased from authorised NAUTICAM dealers and does not extend beyond the original retail purchaser.

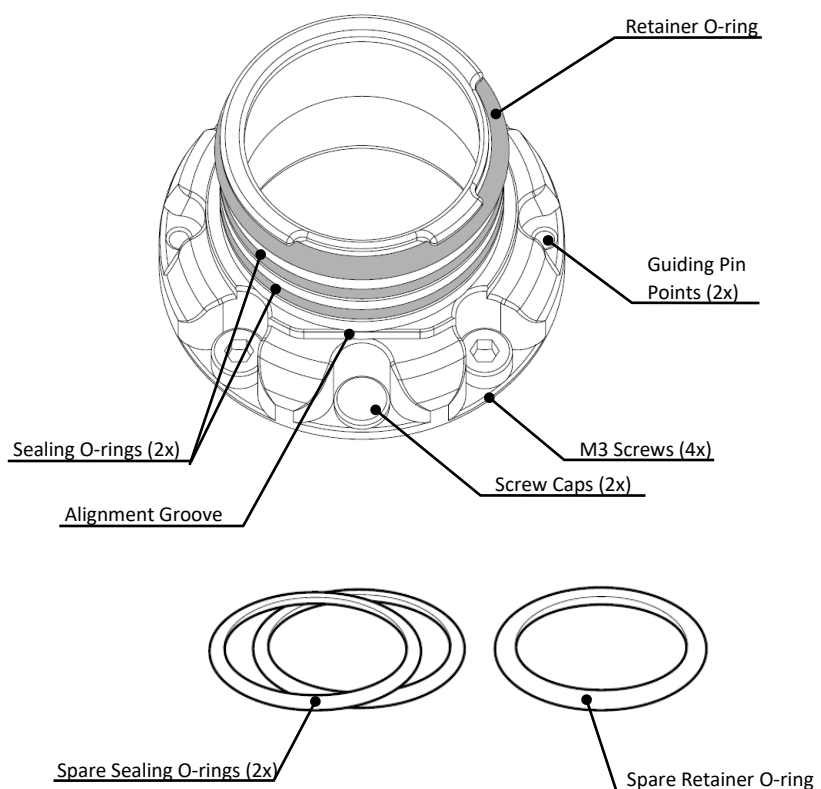
To return your product for service, please contact your regional authorized service centre(s). Please note that this warranty only applies when the product is purchased in the territory where the service centre is located.

NAUTICAM does not hold responsibility for damage, of any nature, to any equipment used with and/or placed within our products.

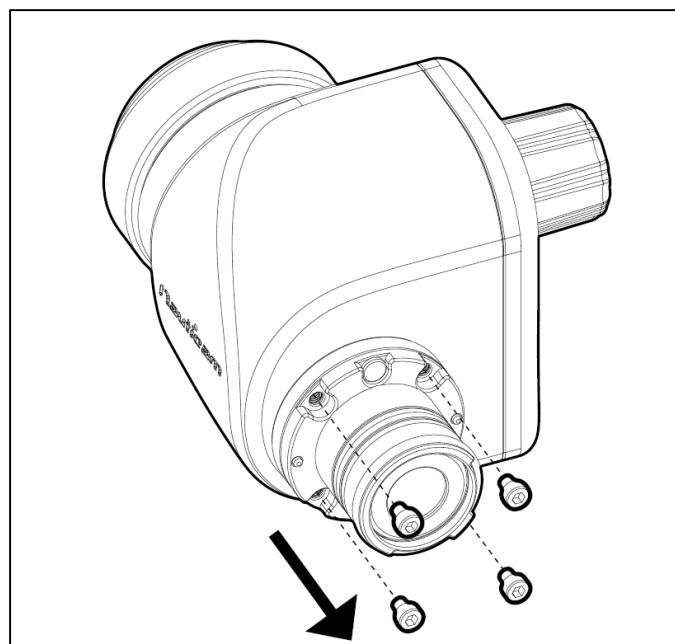
NAUTICAM accepts no liability for any loss of captured images or the inability to capture images even if it is due to the malfunctioning of our products.

Unauthorised modifications and/or repairs of our products will automatically invalidate the warranty.

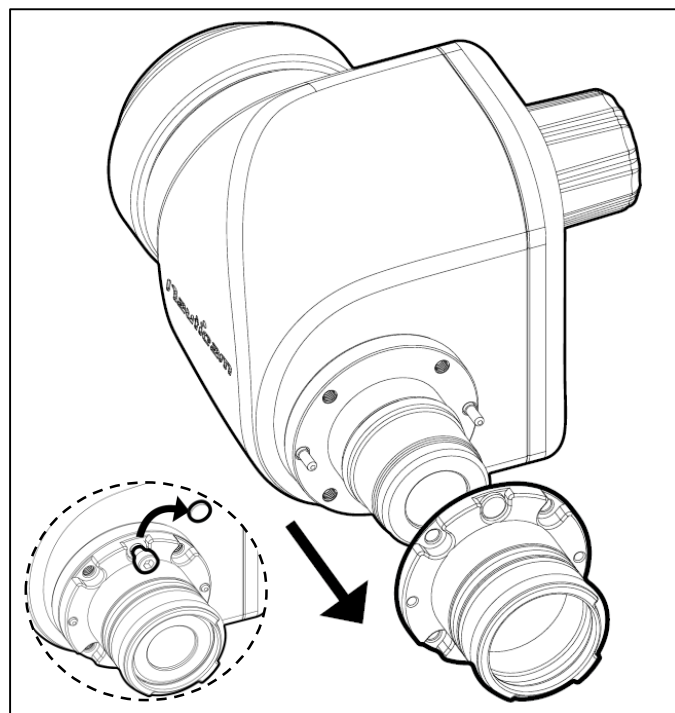
IDENTIFICATION OF PARTS



REMOVE THE OLD COLLAR FROM 32211/2/3/4



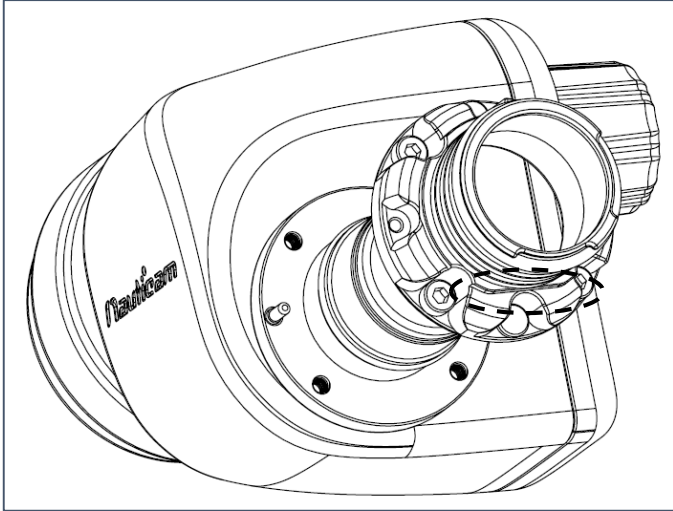
Unlock and remove the four S.S. screws from viewfinder body as shown.



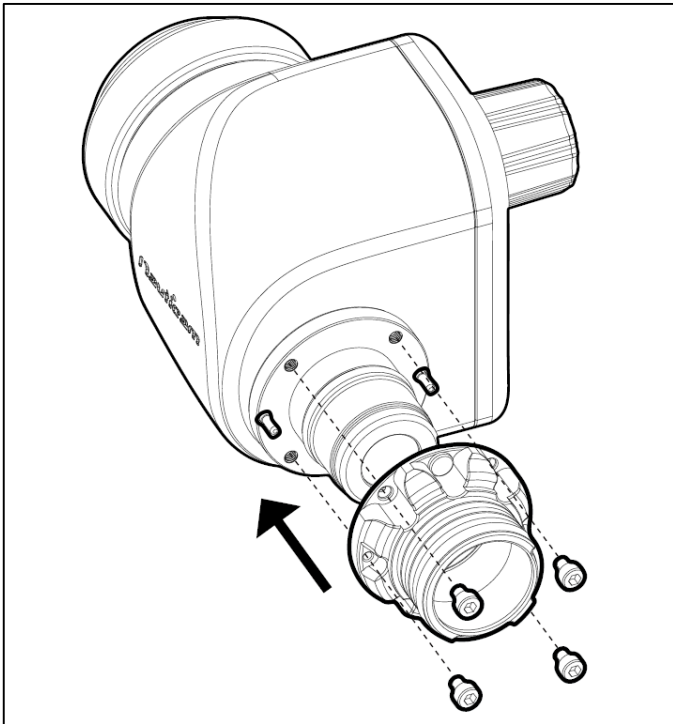
Remove the two screw cap covers, and install one of the existing screws to push and separate the collar from the viewfinder body.

INSTALL THE COLLAR ADAPTOR TO 32211/2/3/4

Verify that the sealing O-ring is in good condition, lightly coat it with Nauticam lubricant. Make sure the O-ring groove is free from any foreign material; the groove can be cleaned with the aid of a microfiber cloth. Then place the O-ring into the groove.



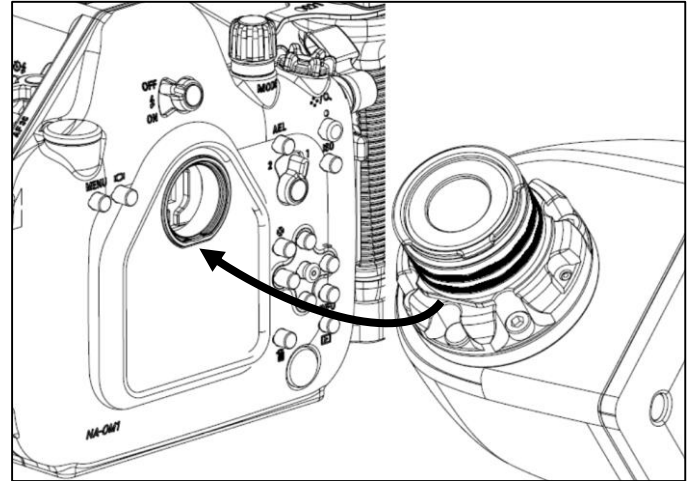
Align the adaptor groove as shown above, make sure it is facing downwards while installing the adaptor into the viewfinder.



Align the two pins on the viewfinder body, and install the collar adaptor by tightening four S.S. screws provided.

To change back the old collar, reverse the above steps.

MOUNT THE VIEWFINDER TO THE HOUSING



Remove the retainer O-ring of the viewfinder, and align the viewfinder groove with the sleeve in the display window as shown.

Push the viewfinder from the outside of the housing until it cannot go in any further. Then place the retainer O-ring of the viewfinder back from inside of the housing.

For detail steps, please follow the housing manual.

BOX CONTENTS

- Viewfinder Collar Adaptor
- M3 Screw x 4
- Screw cover x 2
- Spare Sealing O-ring x 2
- Spare Retainer O-ring

SPECIFICATIONS

Diameters:	DIA 40 x 23 mm
Material:	Titanium
Compatible Housing:	1). All MIL housings, except NA-Z50/XT3/XT4/EM1X 2). NA-A7C
Compatible VF:	32211 Nauticam Full Frame Straight Viewfinder 32 ° 1:1 32212 Nauticam Full Frame Straight Viewfinder 40 ° 0.8:1 32213 Nauticam Full Frame Angle Viewfinder 32 ° 1:1 32214 Nauticam Full Frame Angle Viewfinder 40 ° 0.8:1

Remark: Nauticam supports only e-manuals. Please download corresponding product manuals on Nauticam.com website, or contact us for e-manuals.