

Nauticam 7" G7 HD Ultrabright Monitor Housing

(4K HDMI, 2K SDI input, excl. cables)

PN 16611

User Manual Monitor Housing

Introduction	2
Package Contents	2
Important Instructions	3
Part Names and Functions	4
Housing Mount	7
Setup Options	8
Cable Connection	10
Preparation for Use	12
Care/Storage	14
Warranty	15
Specifications	16

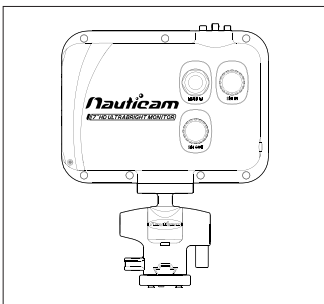
INTRODUCTION

Thank you for purchasing this Nauticam product.

Before using the product, please read this manual thoroughly to familiarize yourself with full scope of functions on the product as well as ensuring that you will use the product correctly.

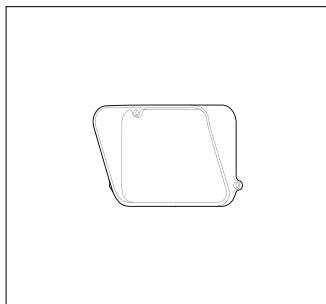
PACKAGE CONTENTS

Make sure that you have all the included items listed below before using this product. If some items are missing or damaged, contact your local Nauticam dealer.

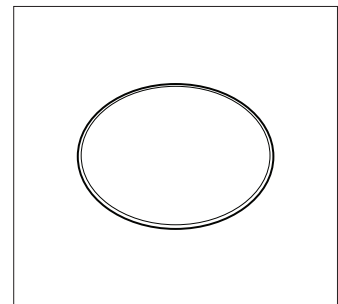


NA-7" G7 Monitor Housing

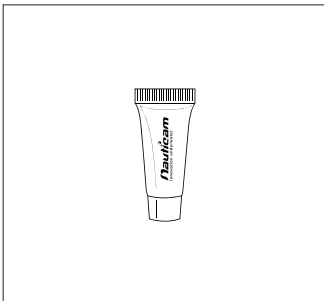
(Swivel and Tilt Adjustable
Monitor Mount System and 4xbatteries)



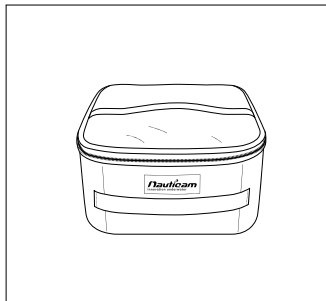
Monitor Hood



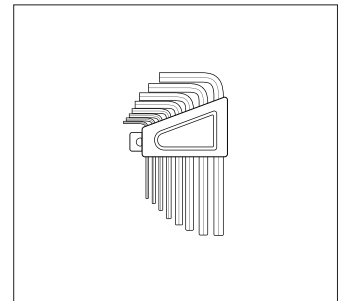
Spare Main O-ring



Lubricant

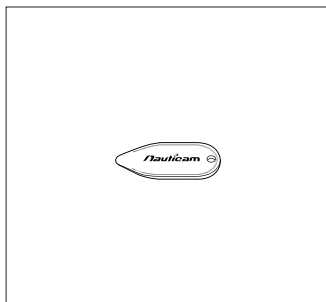


Padded Travel Case



Allen key set

After purchase, we suggest that you reuse all packaging materials for future travelling.



O-ring Remover

IMPORTANT INSTRUCTIONS

1

Water-tight test of the housing (without monitor inside) before usage is recommended as well as any O-ring renewal and port change.

2

Do not seal the housing when travelling by air as this may lead to a pressure difference between the atmosphere and inside the housing.

3

Only the accessories specified by Nauticam must be used. Third-party accessories may result in malfunctions or damage to the product.

4

Use only Nauticam lubricant on silicone rubber O-ring.

5

Do not stretch any O-rings excessively. Only remove it using Nauticam O-ring remover.



6

Discontinue use immediately when there is a sign of leakage.

7

Do not attempt to remove parts of the housing yourself. Repairs must be done at authorized service centers only.

8

The housing should be positioned on the a stable and safe surface on land.

9

Do not expose the housing in direct sunlight for a prolonged period.

10

Do not open the housing in wet or sandy environment. Protect the housing from moisture and debris in order to prevent malfunction or leakage.

11

Prevent any sand or dust or water penetration inside the housing. Be extra careful when inserting or removing the monitor.

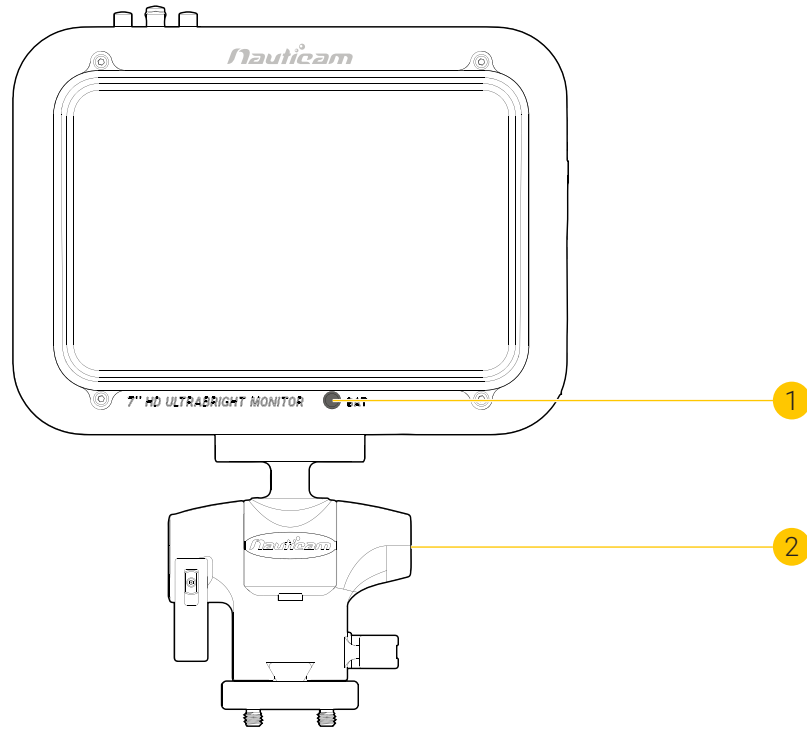


12

This product is not intended for use by children, or persons with reduced physical, sensory or mental capabilities, or lack of experience and knowledge, unless they are supervised and/or given instruction by a responsible person concerning use of the product to ensure that they can use it safely.

PART NAMES AND FUNCTIONS

Rear View



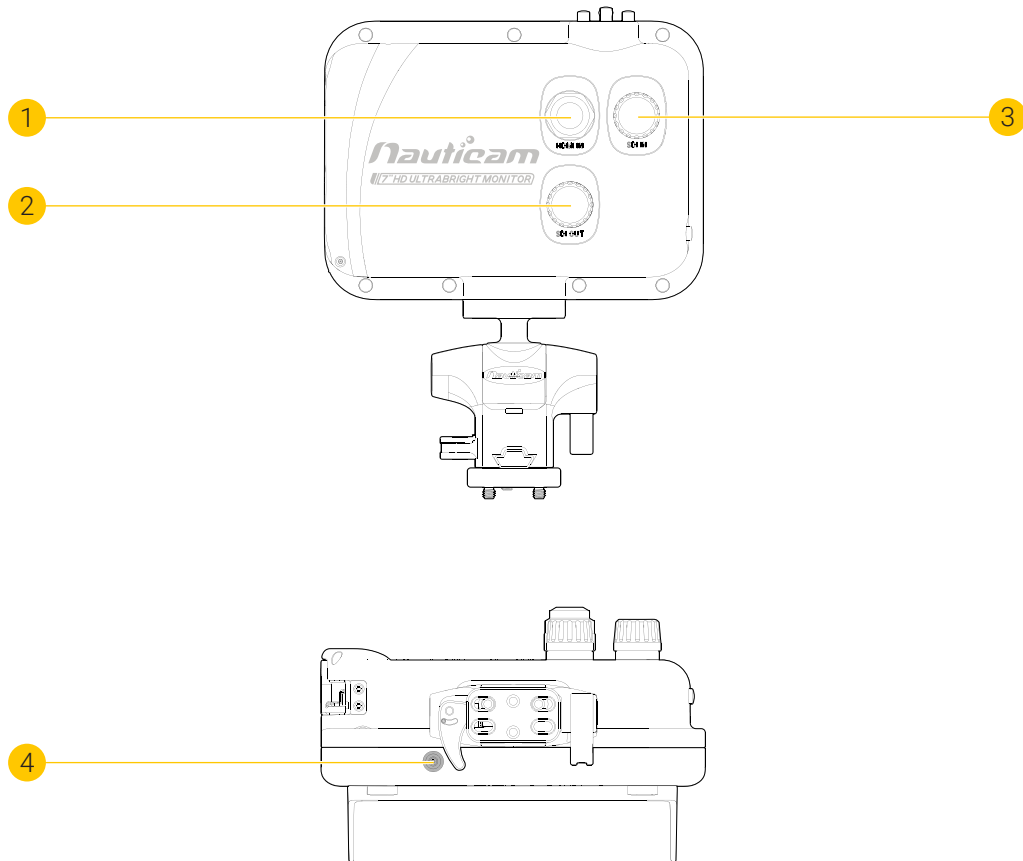
1 Power indicator

2 Swivel and tilt adjustable monitor mount system

●	12.5V - 17V
●	< 12.5V
●	<12V

PART NAMES AND FUNCTIONS

Front + Bottom Views



1 HDMI IN

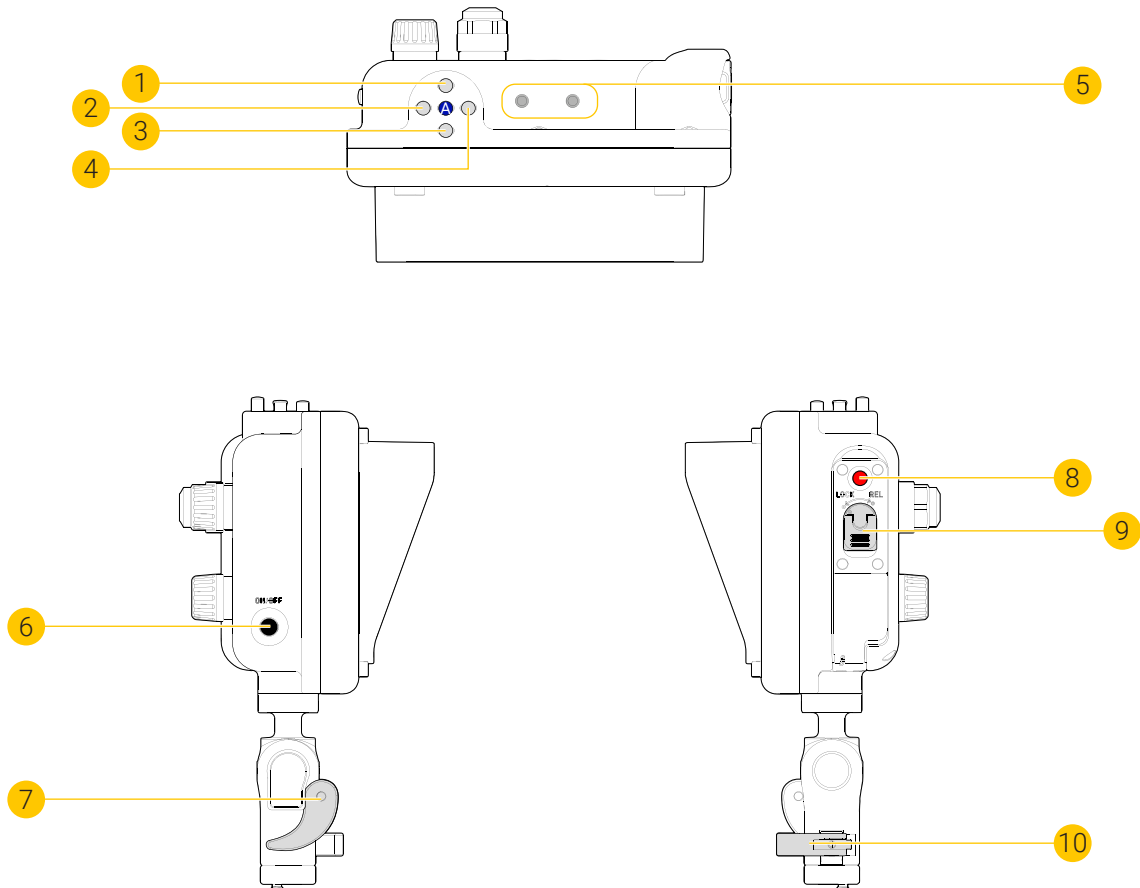
2 SDI OUT

3 SDI IN

4 Sacrificial zinc anodes

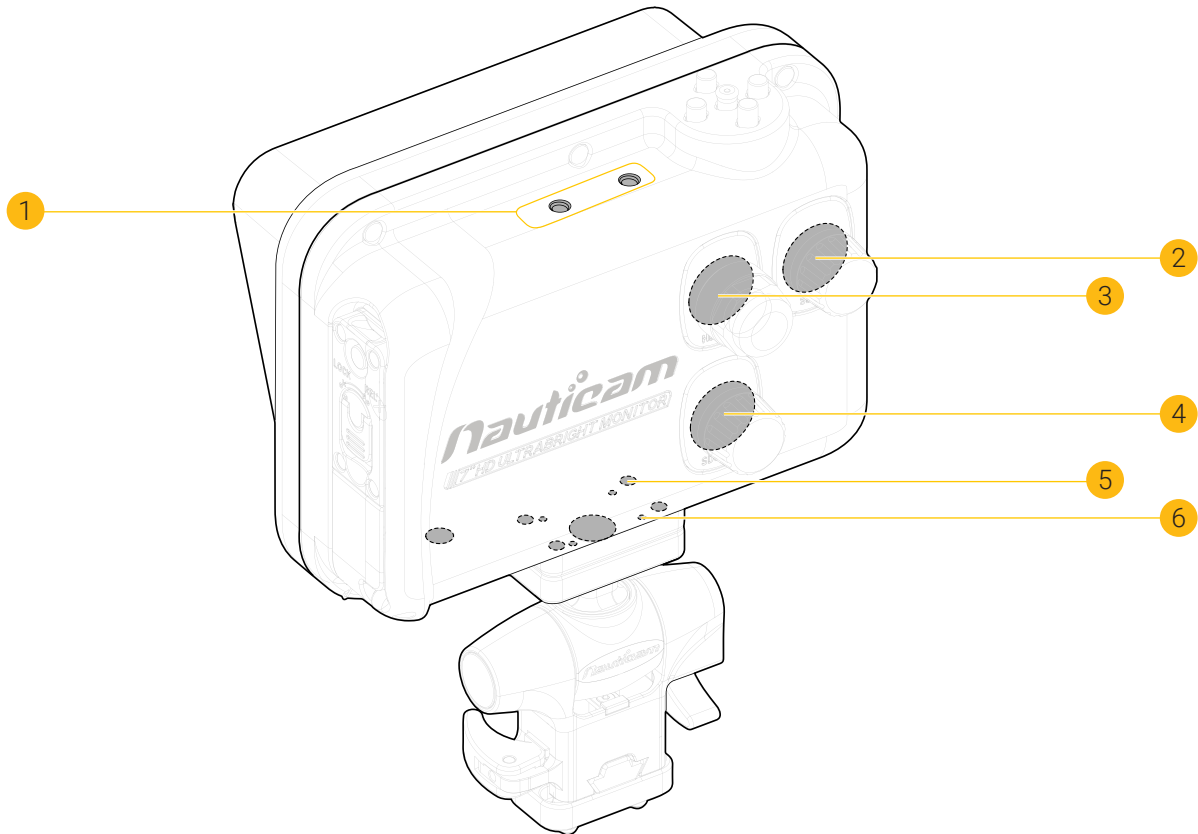
PART NAMES AND FUNCTIONS

Top + Side Views



- 1 ZOOM mode button
 - 2 Press down once to go to previous scene, hold down for 3 secs to access monitor settings menu
 - 3 Hold down for 3 secs to delete current scene
 - 4 Press down once to go to next scene, hold down for 3 secs to create new scene
 - 5 1/4"-20 UNC mounting threads
 - 6 Monitor ON/OFF button
 - 7 Monitor mount tilt lock
 - 8 Battery access unlock button
 - 9 Battery access rotary lever
 - 10 Monitor system locking lever
- A Tool Menu display

HOUSING MOUNT



Housing mount

1 1/4"-20 UNC
Mounting Threads

2 SDI IN

3 HDMI IN

4 SDI OUT

5 1/4"-20 UNC
Mounting Threads

6 M3 Mounting Threads

Compatible accessories

(TBD) Mounting Adaptor on Top Handle
(TBD) Mounting Adaptor on Right Handle
(TBD) Mounting Adaptor on Housing Top
(TBD) Mounting Rear Mounted Adaptor

25058 M16 SDI Bulkhead
25060 SDI Cable in 0.4m Length
25061 SDI Cable in 0.75m Length

25047 HDMI (D-D) 1.4 Cable in 800mm Length

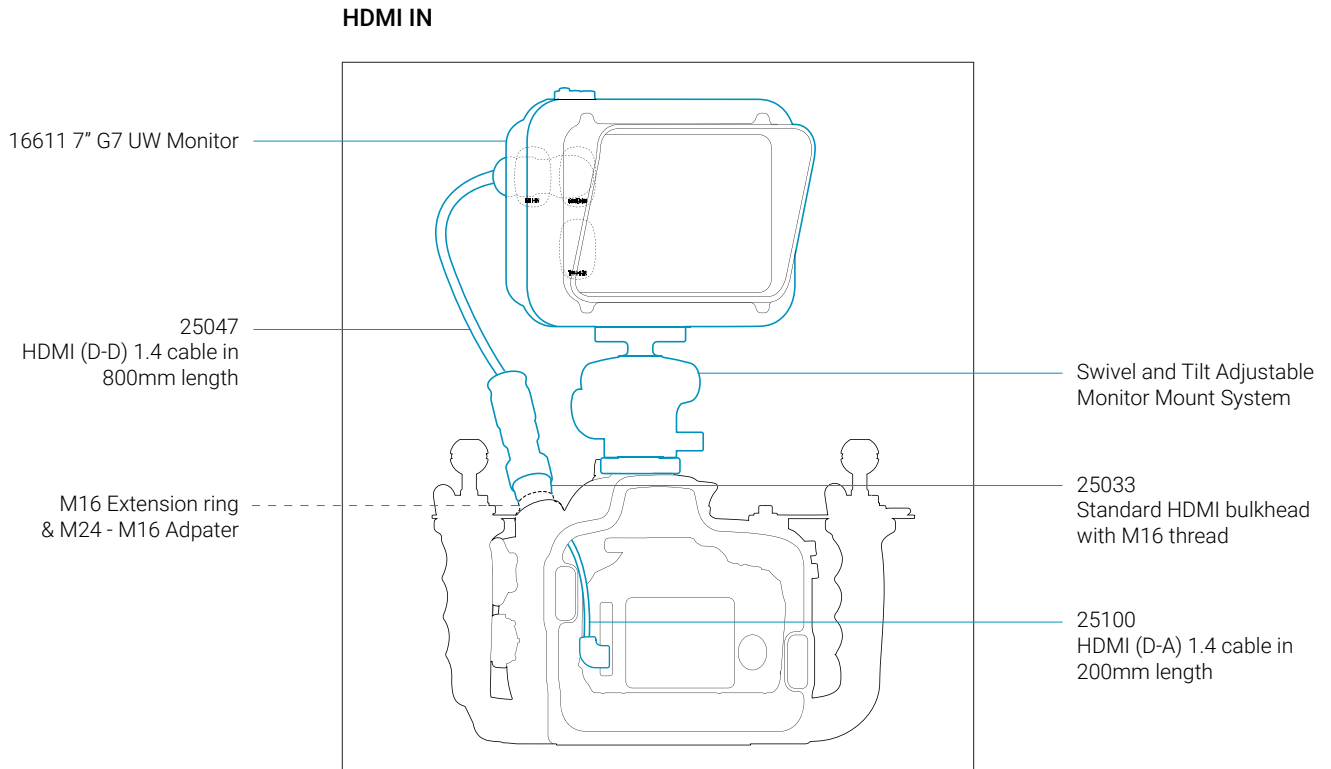
25064 SDI Surface Monitor Cable in 15m Length
25065 SDI Surface Monitor Cable in 45m Length

(TBD) Swivel and Tilt Adjustable Monitor Mount System

17958 Mounting Ball

SETUP OPTIONS - HDMI 1.4

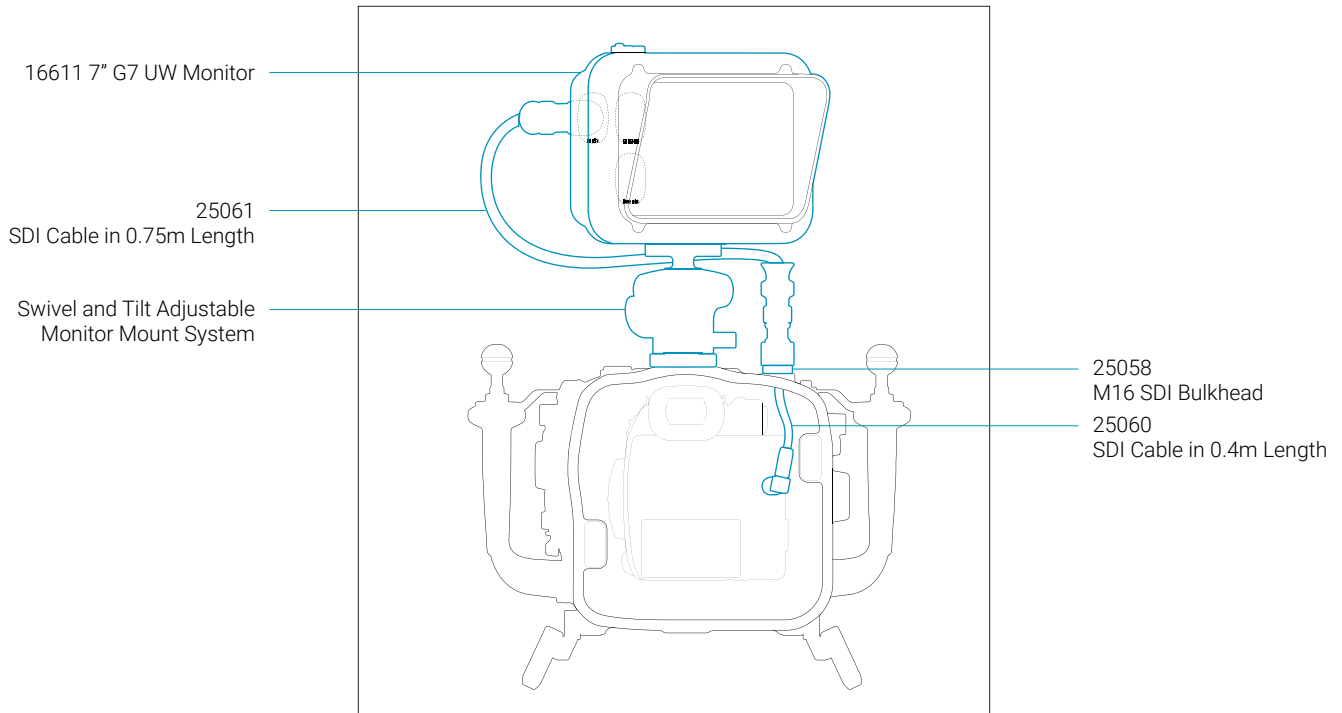
* drawings as illustrations only



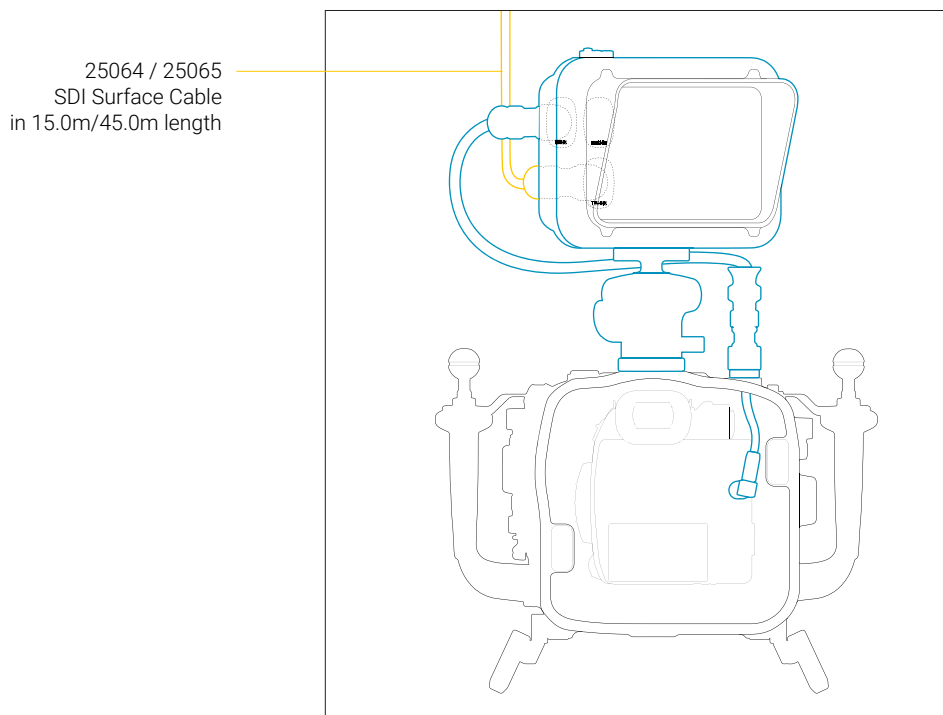
SETUP OPTIONS - SDI

* drawings as illustrations only

SDI IN



SDI IN + SDI OUT

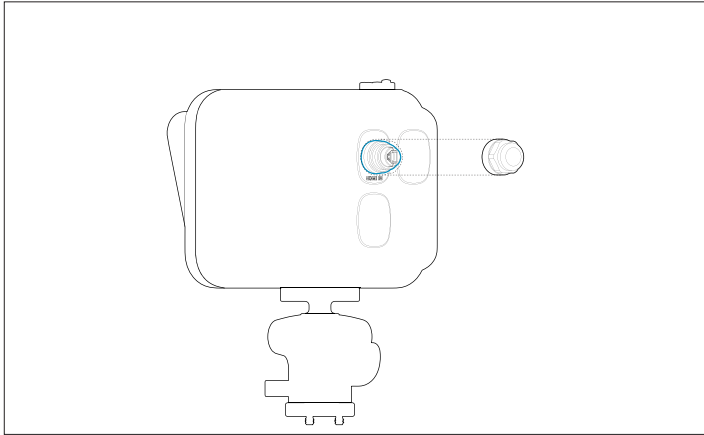


CABLE CONNECTION - HDMI IN/SDI IN/SDI OUT

* drawings as illustrations only

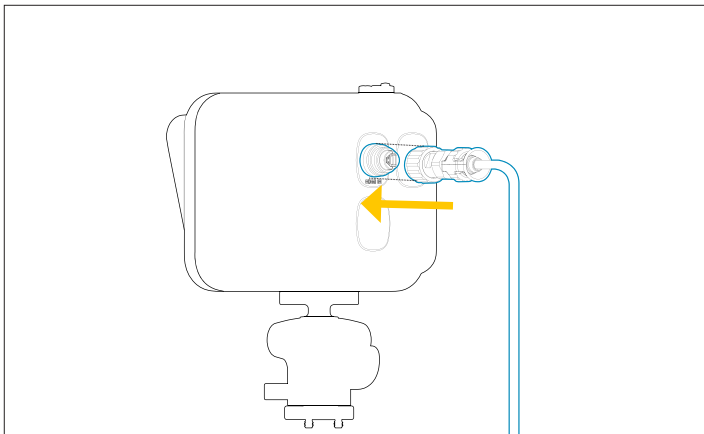
HDMI /SDI IN /SDI OUT Cable to Monitor Connector

1



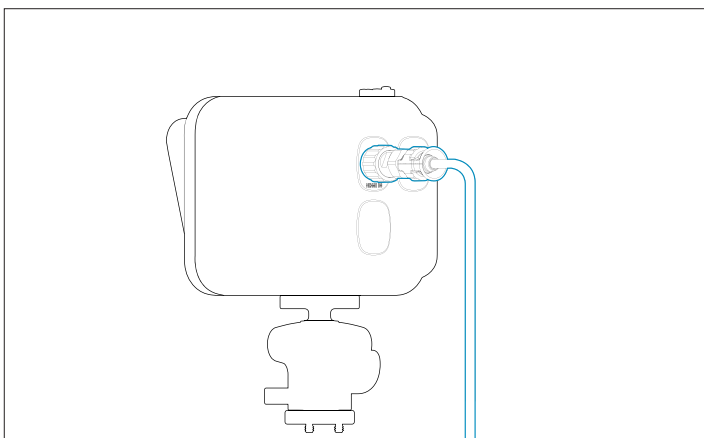
remove the bulkhead cap

2



connect the HDMI cable onto the bulkhead

3

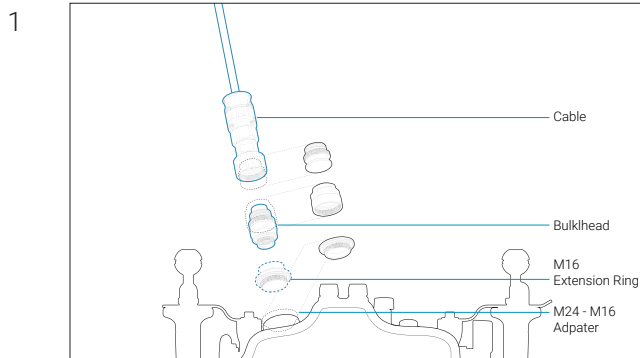


installation complete

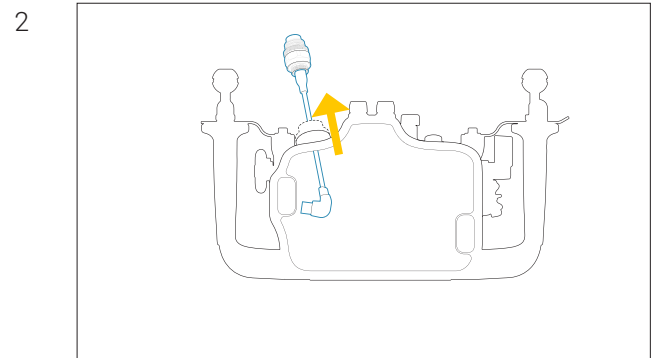
CABLE CONNECTION - TO CAMERA HOUSING

* drawings as illustrations only

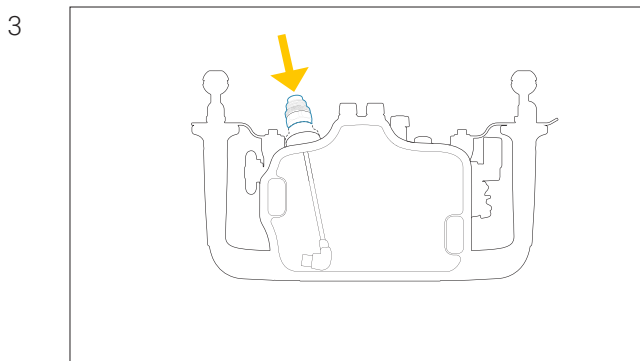
For HDMI



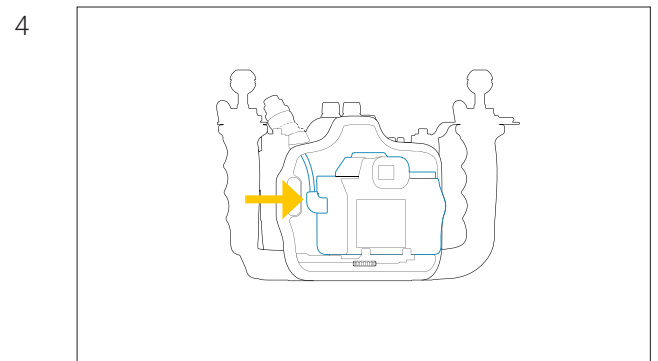
remove the caps of HDMI/SDI cable and bulkhead (M24-M16 adapter if needed)



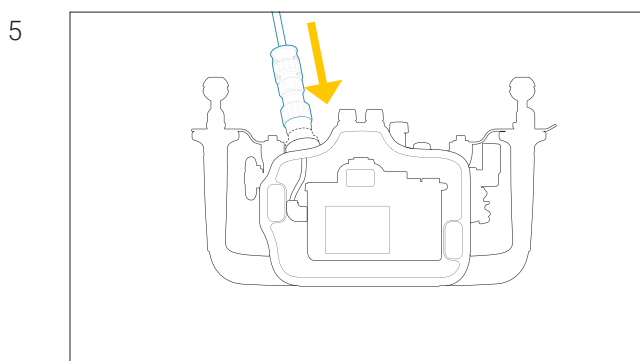
connect the internal cable to the bulkhead as shown



connect the bulkhead onto camera housing



connect the internal cable to the camera connector



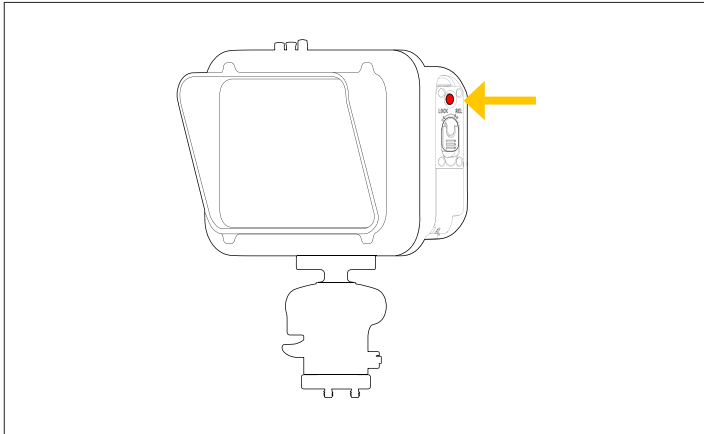
connect the HDMI/SDI cable onto the bulkhead

PREPARATION FOR USE

* drawings as illustrations only

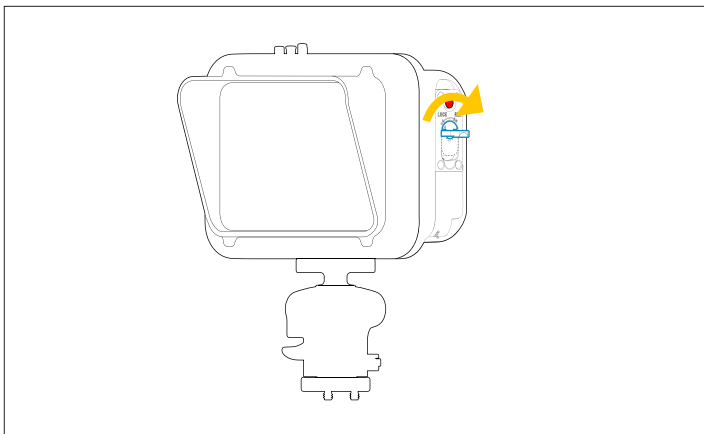
Battery Compartment

1



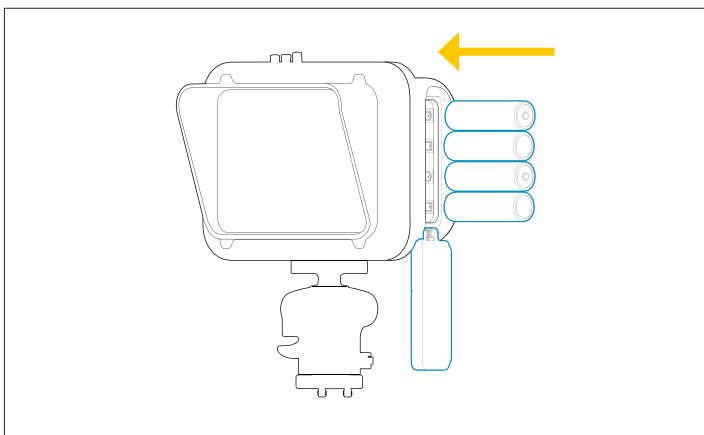
depress battery access unlock button

2



then turn rotary lever clockwise to unlock while pressing down the unlock button

3



flip open the battery compartment window when lock latch is aligned to 'REL' position

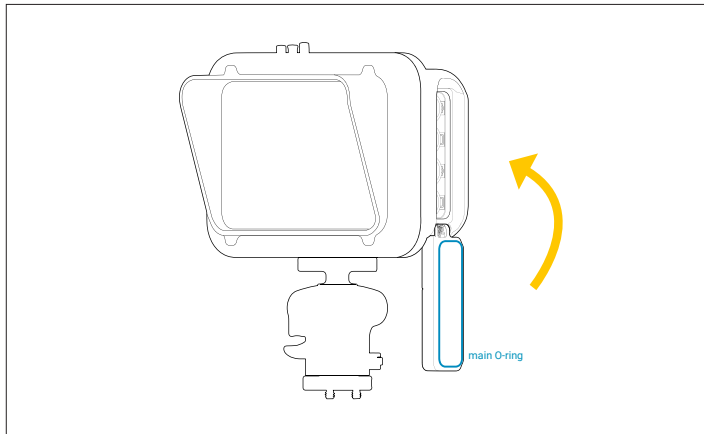
then place the batteries into the monitor housing by following the directional icon

PREPARATION FOR USE

* drawings as illustrations only

Battery Compartment

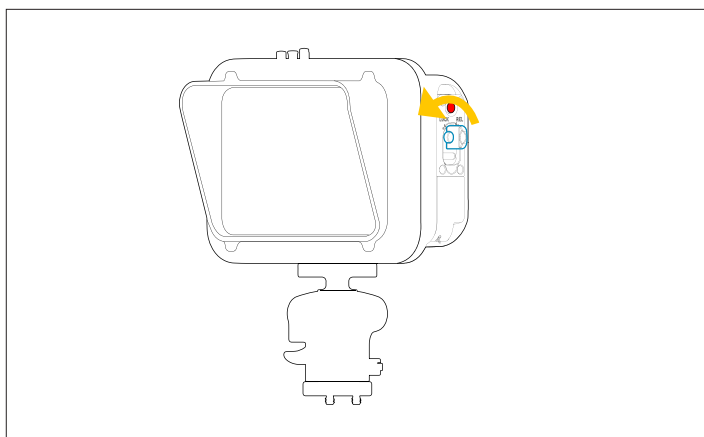
1



before closing the window, clean and lubricate the O-ring

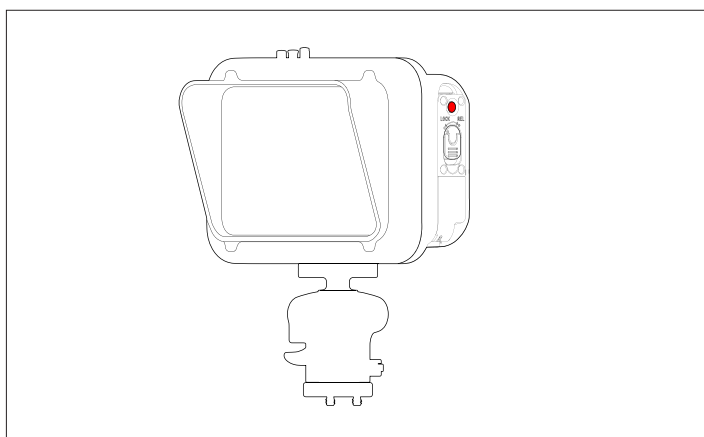
make sure nothing is caught between battery door and that they are fully aligned before locking

2



turn the rotary lever anti clockwise to lock the window

3



locked in place securely

CARE/STORAGE

1

Gently rinse the housing system in fresh water after dives. Operate all controls and buttons at least 3 times while immersed in fresh water.

2

Use a microfiber towel to dry the housing system to prevent water stains on glass and metal finishing.

3

We recommend cleaning and inspecting the main O-ring each time after diving for any damage and every time the housing is opened.

4

Protect the housing with robust and shock-proof travel case during transportation. Do not travel with camera inside housing.

5

We recommend to ship the housing to our service centers for a complete overhaul after 500 dives/every 2 years.

WARRANTY

All NAUTICAM Housing Products and Viewfinders are warranted against any material and manufacturing defects for two years from the date of purchase for consumer use. NAUTICAM Optical Accessories are warranted against material and manufacturing defects for a period of one year, and HDMI cables carry a year warranty.

This warranty only applies to products purchased from authorized NAUTICAM dealers and does not extend beyond the original retail purchaser.

To return your product for service, please contact your regional authorized service center(s). Please note that this warranty only applies when the product is purchased in the territory where the service center is located.

NAUTICAM accepts no liability for any damage to and defects in the housing caused by improper use and/or poor maintenance; it is the responsibility of the owner to carefully follow the instructions in our manuals.

NAUTICAM does not hold responsibility for damage, of any nature, to any equipment used with and/or placed within our products.

NAUTICAM accepts no liability for any loss of captured images or the inability to capture images even if it is due to the malfunctioning of our products.

Unauthorized modifications and/or repairs of our products will automatically invalidate the warranty.

SPECIFICATIONS

16611 7" G7 UW Monitor

(4K HDMI, 2K SDI input, excl. cables)

Construction

Housing body	Hard Anodized Aluminium Alloy
Display window	Abrasion Resistant Polycarbonate

Dimensions

Width	204 mm
Height	150 mm
Depth	67 mm

Weight

In air	2.5 kg
Buoyancy in water	Negative 0.83 kg (incl. Swivel and Tilt Adjustable Monitor Mount System and 4 x batteries)

Depth

Rating	100 m
--------	-------

Input Signal Format

4K30P with HDMI input
2KP60 with SDI input
* suggested input signal 108060P for signal stability

** 16611 does not support HDMI and SDI cross conversion*

Run Time

Up to 6h at default backlight level 5 (with 4 x new NL2160HP 6000mah batteries)

Recommended Batteries

Batteries	4x Nitecore NL2160/2160HP 6000mah or 4x NL2153/2153HP 5300mah battery
-----------	--

Recommended Battery Charger

Nitecore UMS4 Intelligent USB Four-Slot Superb Battery Changer

** Make sure the batteries are fully charged before use*

Optional mounting accessories

17958 Mounting Ball

Nauticam Internationl Ltd.

Rm 2203, CCT Telecom Bldg,
11 Wo Shing St,
Fo Tan,
Hong Kong

Tel. +852 - 26902711
Fax. +852 - 26909778
URL. www.nauticam.com
Gallery. www.nauticam.smugmug.com