

# NA - CV1

For Canon PowerShot V1 Digital Camera

PN 17343

**User Manual**  
Housing  
COMPACT

Introduction	2
Package Contents	2
Important Instructions	3
Part Names and Functions	4
Housing Mount	7
Opening the Housing	8
Closing the Housing	9
Preparation for Use	10
Optional Accessories	13
Care/Storage	14
Warranty	15
Specifications	16

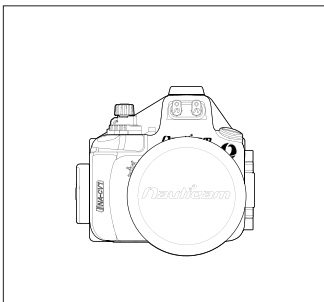
# INTRODUCTION

Thank you for purchasing this Nauticam product.

Before using the product, please read this manual thoroughly to familiarize yourself with full scope of functions on the product as well as ensuring that you will use the product correctly.

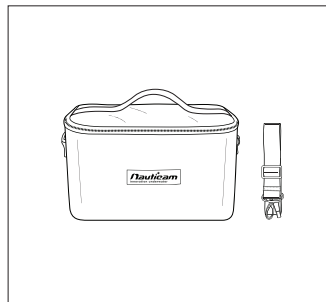
# PACKAGE CONTENTS

Make sure that you have all the included items listed below before using this product. If some items are missing or damaged, contact your local Nauticam dealer.

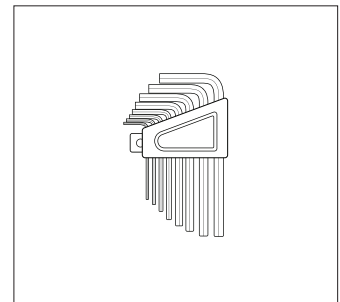


NA-CV1

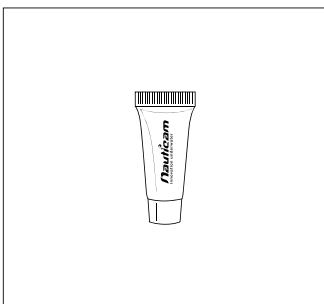
(2 x Plugs for Optical Fiber Cable Mount)



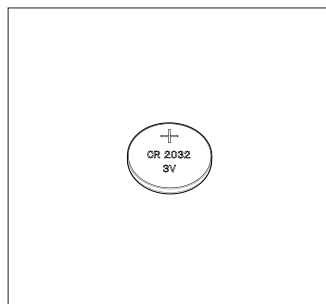
Padded Travel Case



Allen key set

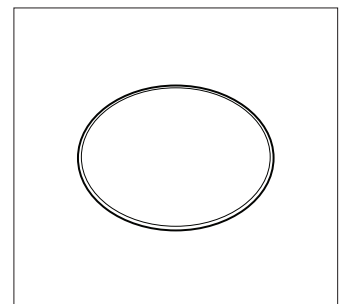


Lubricant

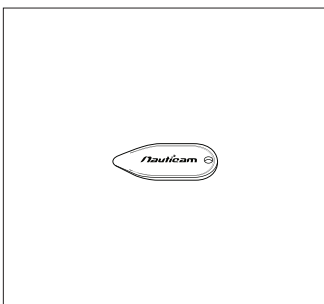


Panasonic CR2032 Battery

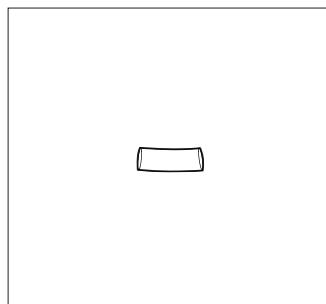
(pre-installed for Moisture Alarm)



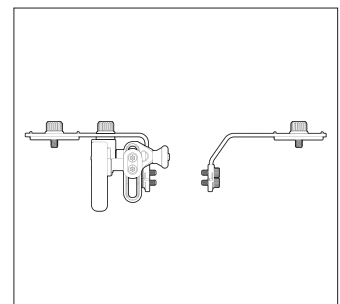
Spare Main O-ring  
#90131



O-ring Remover



Rubber grip x 11



Handle Brackets and  
Shutter Release Extension

After purchase, we suggest that you reuse all packaging materials for future travelling.

# IMPORTANT INSTRUCTIONS

1

Water-tight test of the housing (without camera inside) before usage is recommended as well as any O-ring renewal and port change.

2

Do not seal the housing when travelling by air as this may lead to a pressure difference between the atmosphere and inside the housing.

3

Only the accessories specified by Nauticam must be used. Third-party accessories may result in malfunctions or damage to the product.

4

Use only Nauticam lubricant on silicone rubber O-ring.

5

Do not stretch any O-rings excessively. Only remove it using Nauticam O-ring remover.



6

Discontinue use immediately when there is a sign of leakage.

7

Do not attempt to remove parts of the housing yourself. Repairs must be done at authorized service centers only.

8

The housing should be positioned on the a stable and safe surface on land.

9

Do not expose the housing in direct sunlight for a prolonged period.

10

Do not open the housing in wet or sandy environment. Protect the housing from moisture and debris in order to prevent malfunction or leakage.

11

Prevent any sand or dust or water penetration inside the housing. Be extra careful when changing lens and inserting or removing the camera.

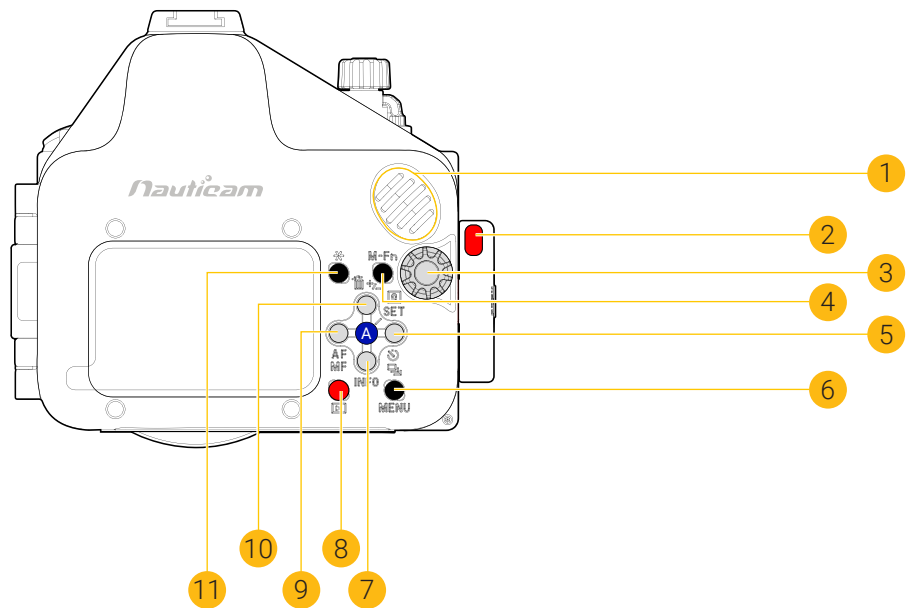


12

This product is not intended for use by children, or persons with reduced physical, sensory or mental capabilities, or lack of experience and knowledge, unless they are supervised and/or given instruction by a responsible person concerning use of the product to ensure that they can use it safely.

# PART NAMES AND FUNCTIONS

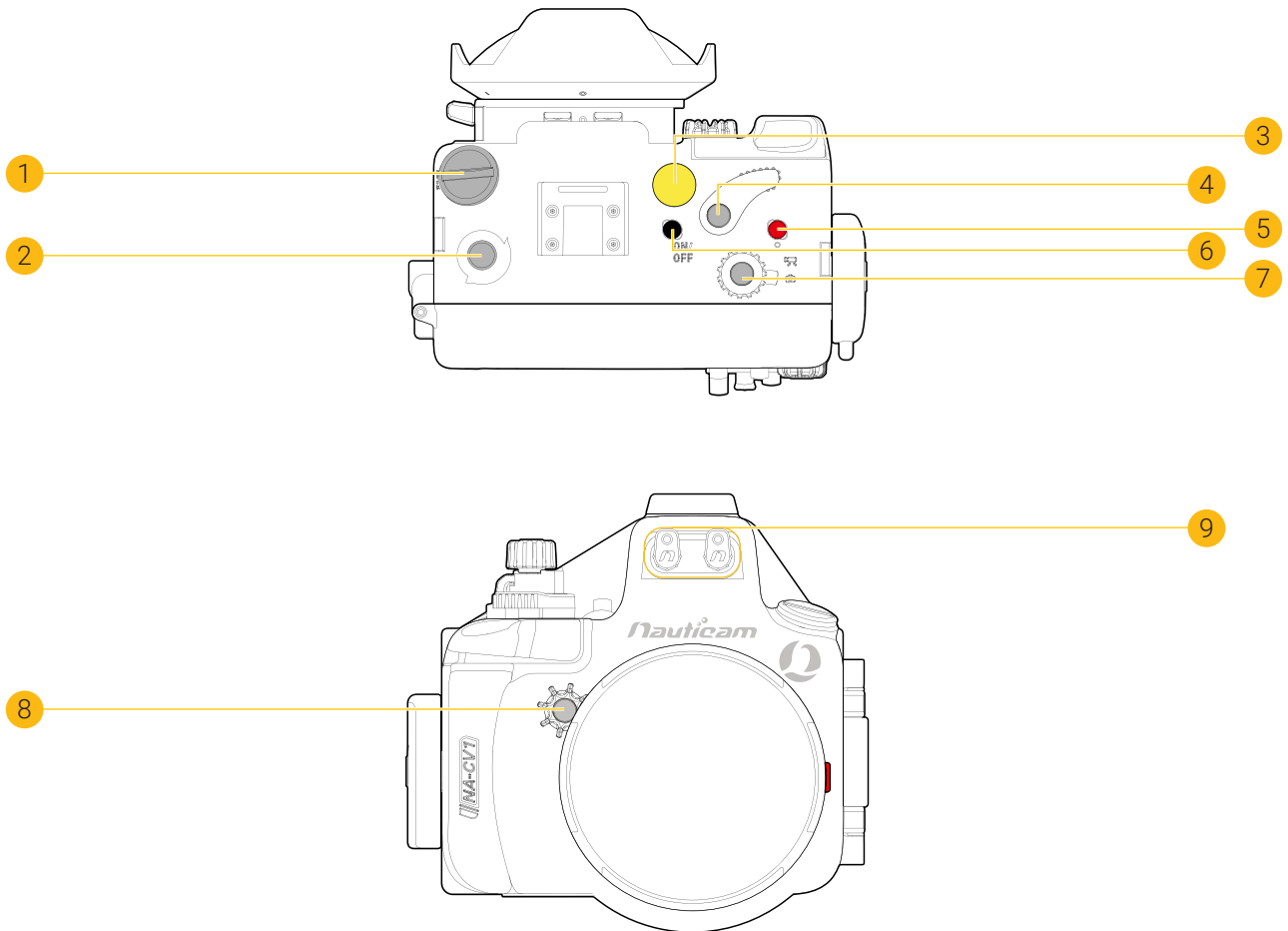
Rear View



- |    |                                    |    |                                       |
|----|------------------------------------|----|---------------------------------------|
| 1  | Thumb position                     | 2  | Housing unlock button                 |
| 3  | Quick control dial 1               | 4  | M-Fn button                           |
| 5  | Right/self-timer/drive mode button | 6  | Menu button                           |
| 7  | Down/Info button                   | 8  | Playback button                       |
| 9  | Left/AF/MF button                  | 10 | Up/Exposure compensation/Erase button |
| 11 | AE lock button                     | A  | Quick control/set button              |

# PART NAMES AND FUNCTIONS

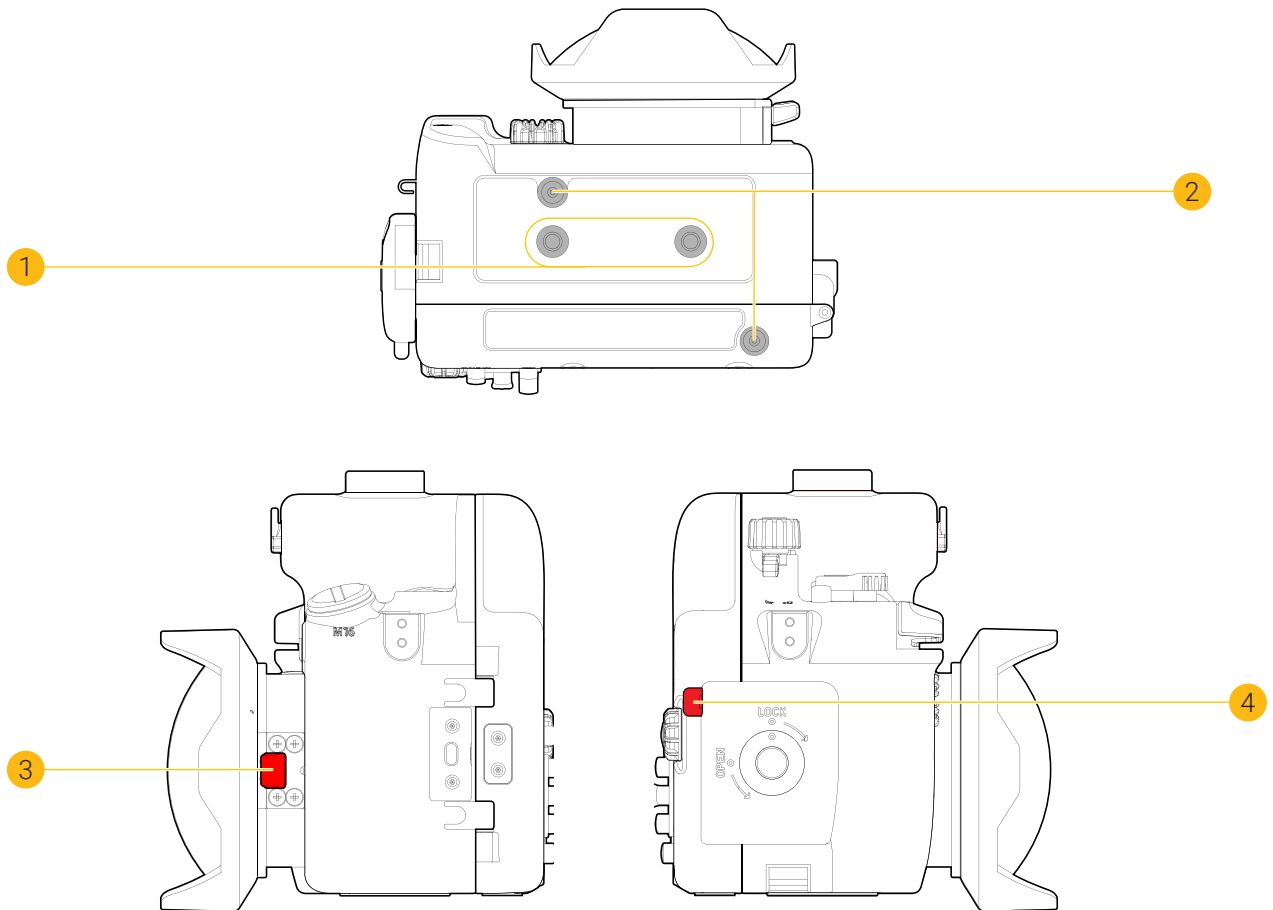
Top + Front Views



- |   |                                |   |                    |
|---|--------------------------------|---|--------------------|
| 1 | M16 Accessory port             | 2 | M10 Accessory port |
| 3 | Moisture alarm window          | 4 | Zoom Lever         |
| 5 | REC button                     | 6 | Power button       |
| 7 | Photo/Movie lever              | 8 | Control Ring dial  |
| 9 | Optical fiber cable connection |   |                    |

# PART NAMES AND FUNCTIONS

Bottom + Side Views



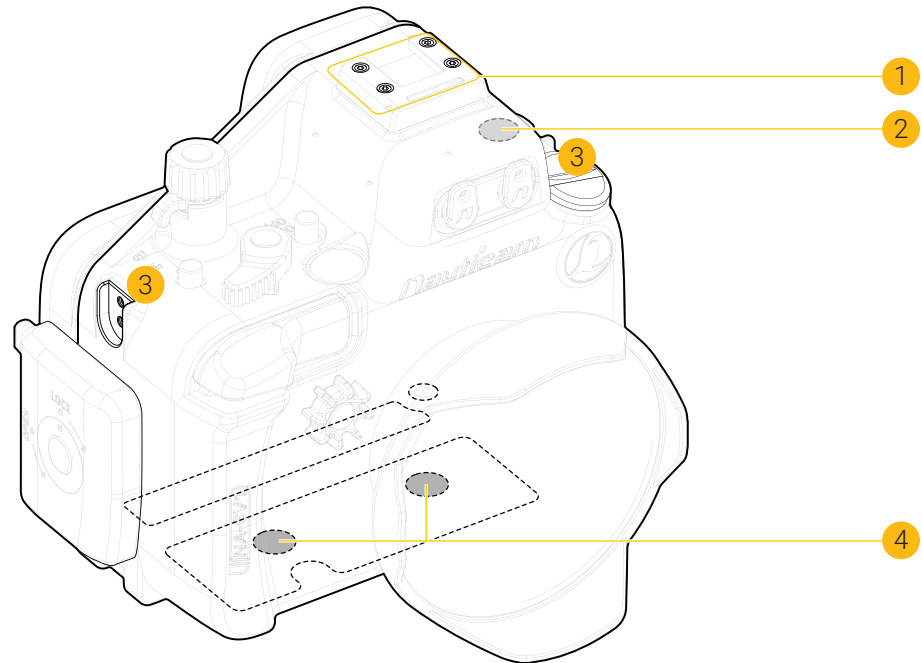
1 1/4" Threaded tripod holes

2 Sacrificial zinc anodes

3 Bayonet mount II release button

4 Housing unlock button

# HOUSING MOUNT



## **Housing mount**

- 1 Cold shoe
- 2 M10 Accessory port
- 3 Hand straps and housing tray
- 4 1/4" -20 Mounting threads

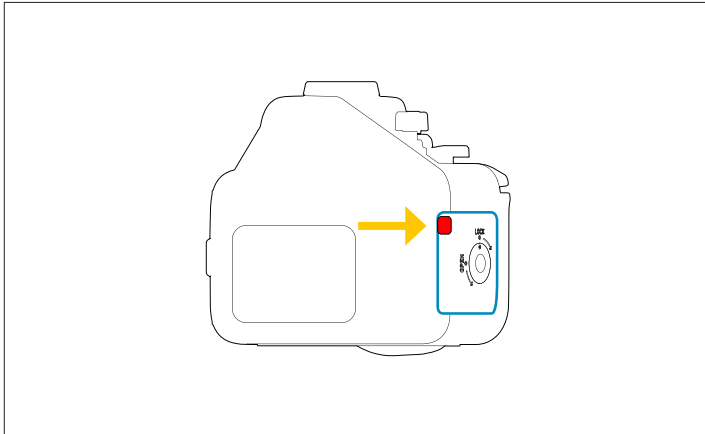
## **Compatible accessories**

- |       |                                                                   |
|-------|-------------------------------------------------------------------|
| 25311 | Strobe Mounting Ball for Cold Shoe                                |
| 25312 | Light Mounting Stem for Cold Shoe                                 |
| 25321 | Long Strobe Mounting Ball for Cold Shoe                           |
| 25322 | Long Light Mounting Stem for Cold Shoe                            |
| 25221 | M10 Strobe Mounting Ball for Housing                              |
| 36316 | Hand Strap for Mirrorless IL Camera & Compact Camera Housing      |
| 36323 | Long Hand Strap for Mirrorless IL Camera & Compact Camera Housing |
| 71206 | Easitray II with Left Handle                                      |
| 71207 | Flexitray II with Left Handle                                     |
| 71208 | Adjustable Right Handle II                                        |
| 71209 | Flexitray Plate II W with Left Handle                             |

# OPENING THE HOUSING

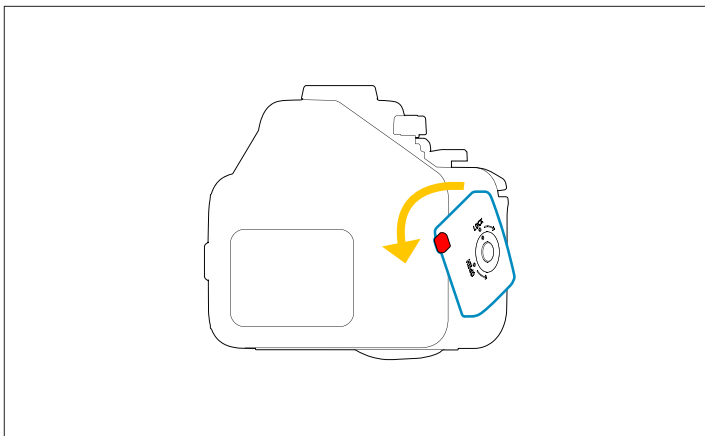
\* drawings as illustrations only

1



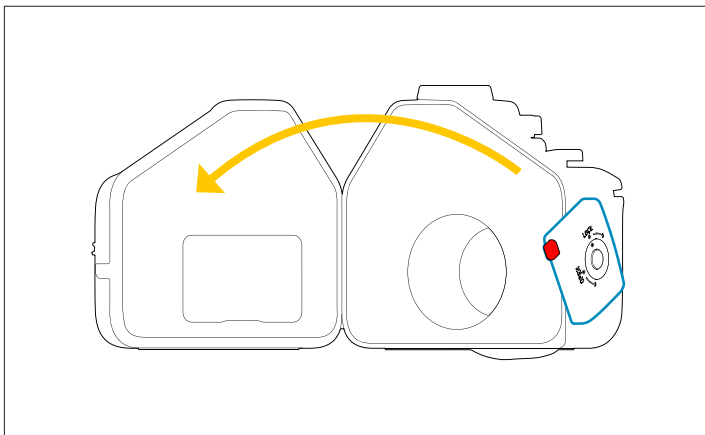
depress housing unlock button

2



turn housing lock latch  
anti-clockwise to open the  
housing

3

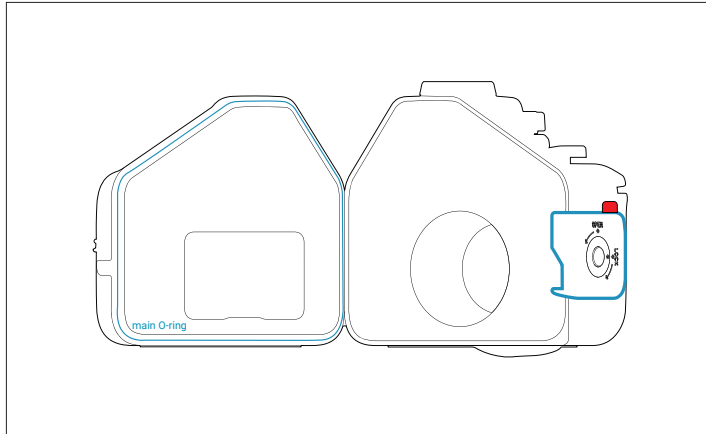


flip open the back housing  
when lock latch is aligned to  
'open' position

# CLOSING THE HOUSING

\* drawings as illustrations only

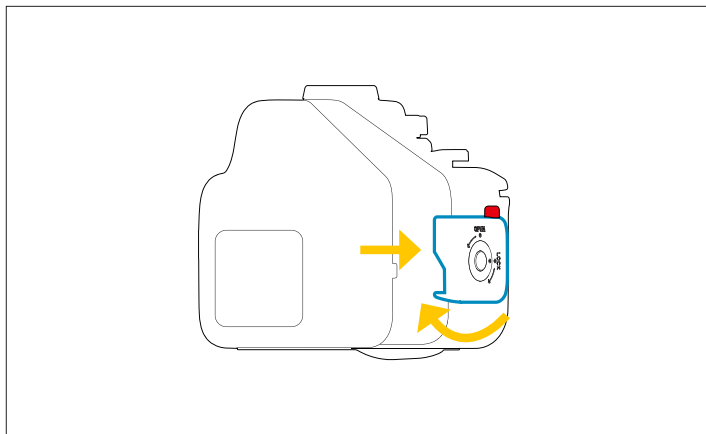
1



before closing the housing, clean and lubricate the main O-ring

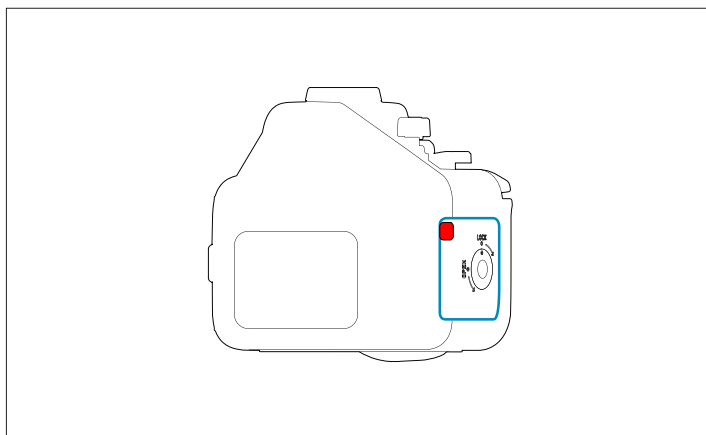
make sure nothing is caught between front and back housing and that they are fully aligned before locking

2



insert the housing shaft into the shaft hole and then rotate the lock latch clockwise until you hear and feel it click into place

3



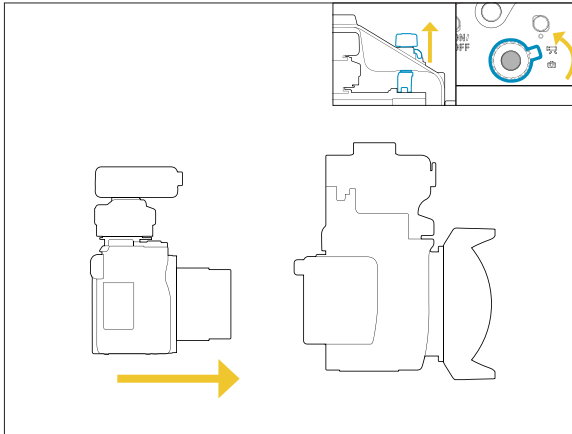
housing locked in place securely

# PREPARATION FOR USE

\* drawings as illustrations only

Installing the Camera

1

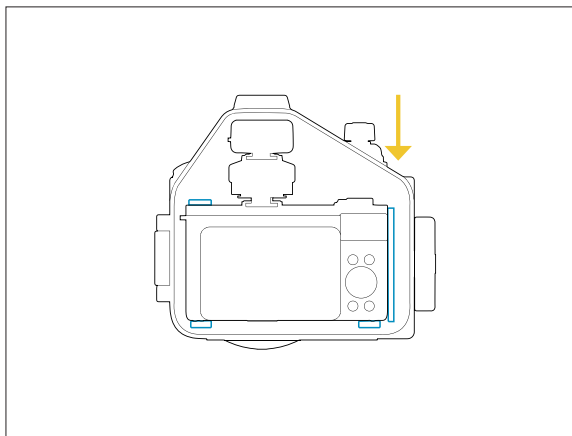


*\* lift up the Photo/movie lever before installing the camera then turn the Photo/movie lever to movie position*

*\* make sure the Photo/movie lever is aligned with camera control before sliding the camera into the housing*

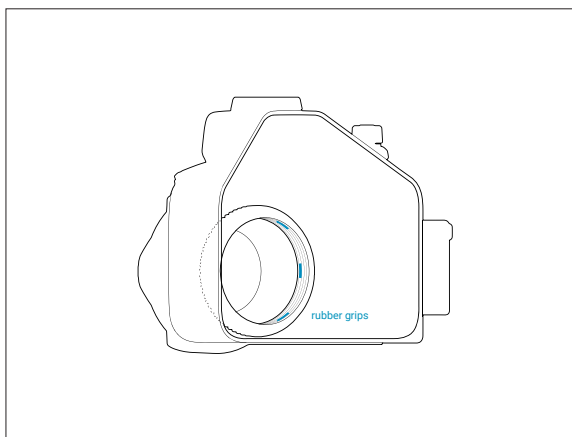
Place the camera into the housing

2



Then press down the Photo/movie lever and make sure it is aligned with camera control

make sure that the housing is engaged and in-placed with camera holder

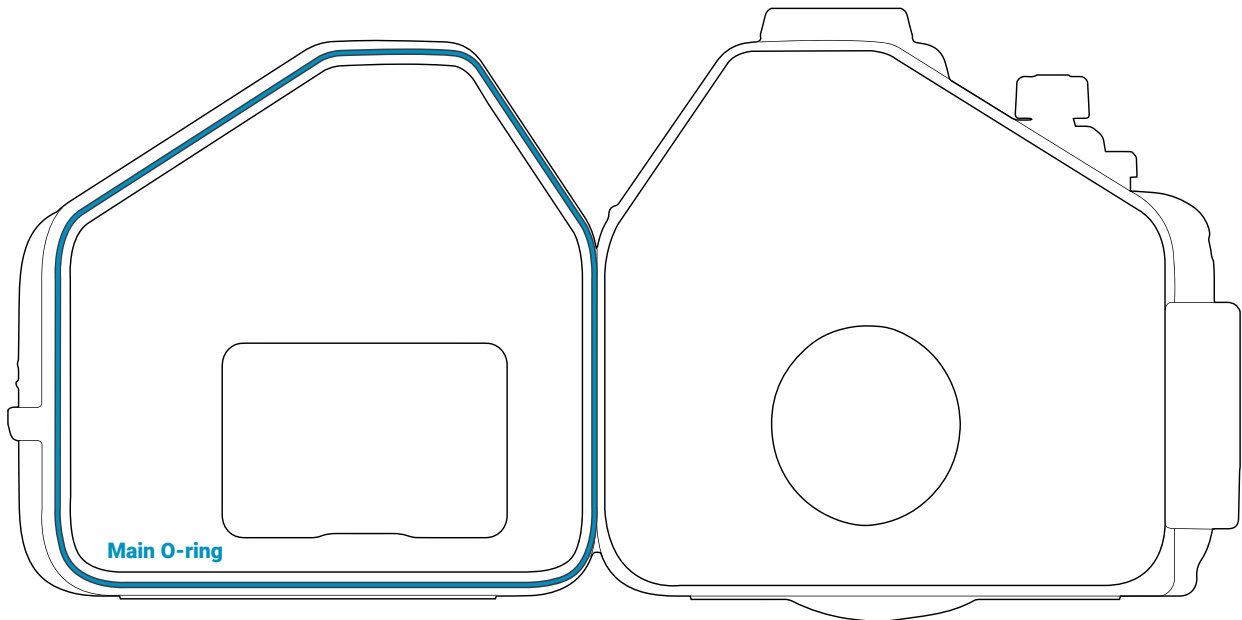


*\* The tightness between zoom gear and camera lens can be adjusted by removing or adding rubber grips on either sides of the plastic C-ring, spare rubber grips are included in the packaging*

# PREPARATION FOR USE

\* drawings as illustrations only

Coating housing O-ring

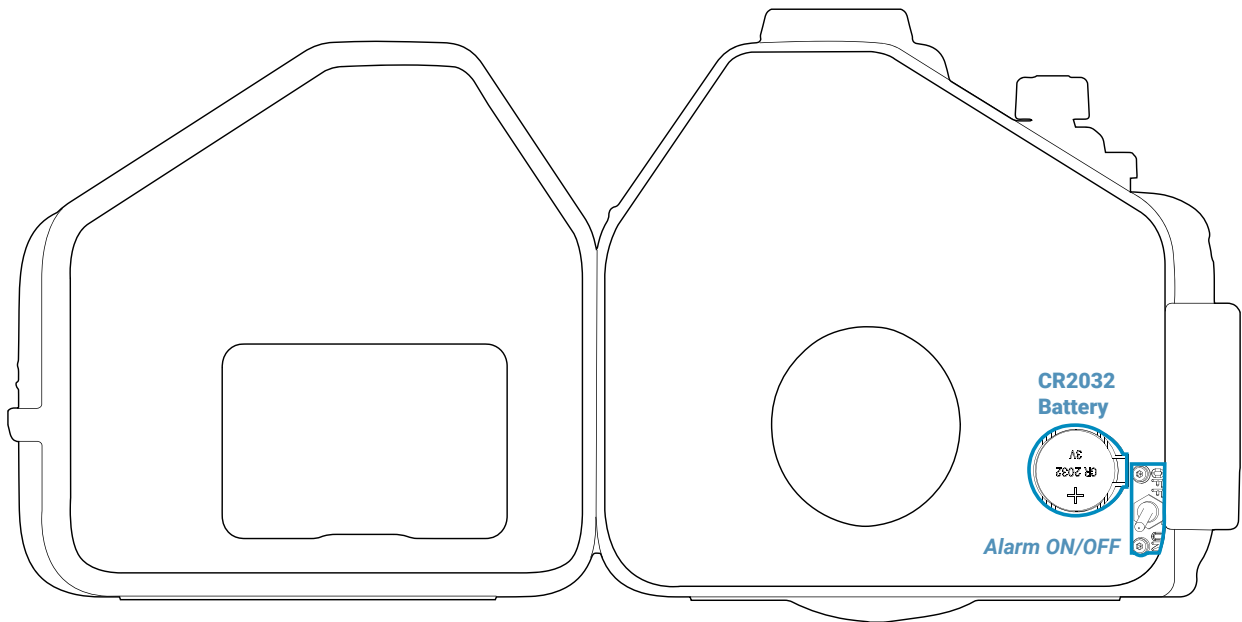


- 1  
remove the main O-ring using an O-ring remover
  
- 2  
clean the O-ring groove with a cloth and ensure that it is free from salt or other foreign materials
  
- 3  
lightly coat it with provided lubricant
  
- 4  
return the main O-ring by slowly pressing from one corner to the whole perimeter

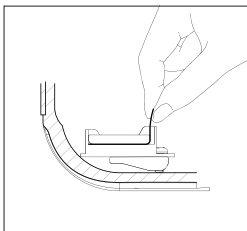
# PREPARATION FOR USE

\* drawings as illustrations only

Setting up moisture alarm

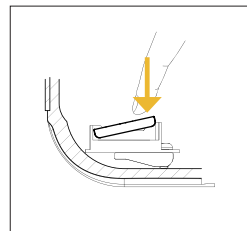


1



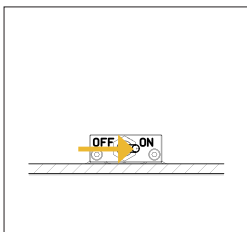
remove battery insulation film

2



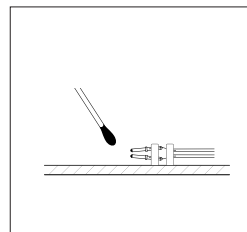
press the battery down until it click into place

3



switch on the alarm  
- the moisture alarm window will flash in **BLUE** when it is working correctly

4



test the alarm  
- connect the wires with a dampened cotton bud; the alarm will give a repeating 'beep' and the moisture alarm window will flash **RED**

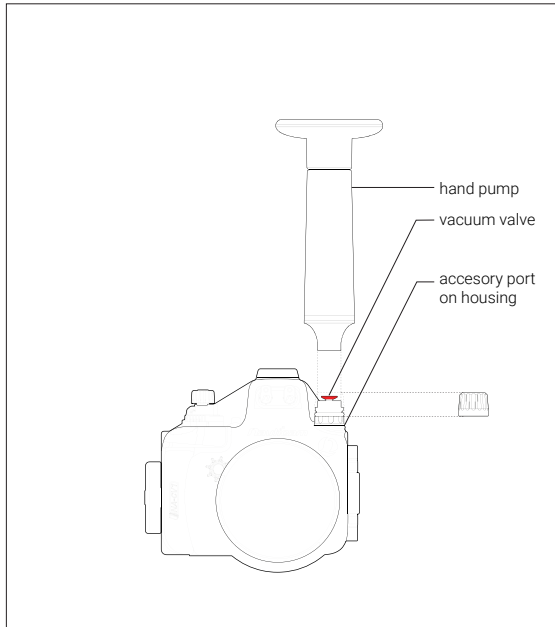
\* please contact our authorized service centers if testing fails  
\* please refer to page 13 for complete vacuum system guidance

# OPTIONAL ACCESSORIES

\* drawings as illustrations only

Vacuum valve system

1



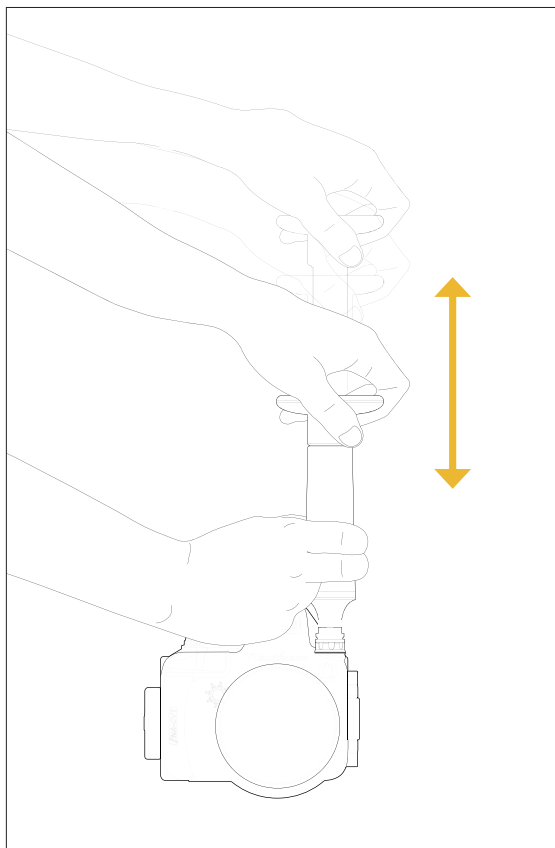
remove the plug of M16 accessory port from the housing

remove the cap from the vacuum valve

slightly lubricate the o-ring and make sure the o-ring is in place

then tighten the vacuum valve to the housing with the tool provided

2



connect hand pump to the valve and pump several times until it reaches the target vacuum level

close vacuum valve cap

Moisture alarm window colour indication :

Steady Blue		device is turned on
Flashing Blue		standby mode, ready for pumping
Steady Green		target vacuum level is reached
Flashing Yellow		vacuum level is dropping
Flashing Red		vacuum is totally lost, circuit stalled until device is switched off
Alternating Blue and Red		vacuum is totally lost, circuit stalled until device is switched off
Steady Red		out of battery

*\* It is recommended to leave the housing for at least 20mins to ensure it is sealed. If the LED light changes from steady green light to rapidly flashing yellow light, that means there is a leakage. Please check every O-ring and then conduct the vacuum test again.*

*\* please contact our authorized service centers if testing fails*

## CARE/STORAGE

1

Soak the housing system in fresh water after salt water usage

2

Operate all controls and buttons at least 3 times while immersed in fresh water

3

We recommend cleaning and inspecting the main O-ring each time after diving for any damage and every time the housing is opened.

4

Protect the housing with robust and shock-proof travel case during transportation. Do not travel with camera inside housing.

5

We recommend to ship the housing to our service centers for a complete overhaul after 500 dives/every 3 years.

# WARRANTY

All NAUTICAM Housing Products and Viewfinders are warranted against any material and manufacturing defects for two years from the date of purchase for consumer use. NAUTICAM Optical Accessories are warranted against material and manufacturing defects for a period of one year, and HDMI cables carry a year warranty.

This warranty only applies to products purchased from authorized NAUTICAM dealers and does not extend beyond the original retail purchaser.

To return your product for service, please contact your regional authorized service center(s). Please note that this warranty only applies when the product is purchased in the territory where the service center is located.

NAUTICAM accepts no liability for any damage to and defects in the housing caused by improper use and/or poor maintenance; it is the responsibility of the owner to carefully follow the instructions in our manuals.

NAUTICAM does not hold responsibility for damage, of any nature, to any equipment used with and/or placed within our products.

NAUTICAM accepts no liability for any loss of captured images or the inability to capture images even if it is due to the malfunctioning of our products.

Unauthorized modifications and/or repairs of our products will automatically invalidate the warranty.

# SPECIFICATIONS

## Construction

Housing body	Hard Anodized Aluminium Alloy
Display window	Abrasion Resistant Polycarbonate

## Dimensions

Width	165 mm
Height	149 mm
Depth	139 mm

## Weight

In air	1.2 kg
Buoyancy in water	negative 0.1 kg (incl. camera and battery)

## Depth

Rating	100 m
--------	-------

## Port Specifications

Port mount	N50 compact system with Bayonet Mount
Port accessories	1 x M10 , 1 x M16

## Buoyancy Options

72261	Ø70x200mm Carbon Fibre Aluminium Float Arm (Buoyancy 370g)
72262	Ø70x250mm Carbon Fibre Aluminium Float Arm (Buoyancy 520g)
72263	Ø70x300mm Carbon Fibre Aluminium Float Arm (Buoyancy 670g)
72264	Ø90x170mm Carbon Fibre Aluminium Float Arm (Buoyancy 450g)
72265	Ø90x220mm Carbon Fibre Aluminium Float Arm (Buoyancy 720g)
72266	Ø50x200mm Carbon Fibre Aluminium Float Arm (Buoyancy 160g)
72267	Ø50x250mm Carbon Fibre Aluminium Float Arm (Buoyancy 240g)
72268	Ø50x300mm Carbon Fibre Aluminium Float Arm (Buoyancy 320g)
72233	Single Bayonet Holder II for Ø70 Float Arm
72234	Double Bayonet Holder II for Ø70 Float Arm
72243	Single Bayonet Holder II for Ø90 Float Arm
72244	Double Bayonet Holder II for Ø90 Float Arm
83252	Bayonet Holder for Arms
83253	Double Bayonet Holder for Arms
83254	Bayonet Lens Holder for Inon Float Arms

## Recommended Accessories

25227	27cm Lanyard with Shackles
25411	18cm Lanyard with 2 Snap Hooks
25106	LCD Magnifier with Dioptic Adjustment
25131	LCD Magnifier Attachment rails
71206	Easitray II with Left Handle (with 2pcs 1/4" screws)
71207	Flexitray II with Left Handle (with 2pcs 1/4" screws)
71208	Adjustable Right Handle II (for Easitray II & Flexitray II)
71209	Flexitray Plate II W with Left Handle (with 2 tripod holes)
36316	Hand Strap for Mirrorless IL Camera & Compact Camera Housing (Standard)
36323	Long Hand Strap for Mirrorless IL Camera & Compact Camera Housing

# FLASH TRIGGERING

## Optical

### Manual Flash Trigger

26353	Mini Flash Trigger
<i>* Canon hotshoe adaptor AD-E1 is required for manual flash trigger support</i>	
26216	Universal Optical Fiber Cable

# WET LENS COMPATIBILITY

*\*please refer to Nauticam port charts for more setup information.*

## Wet Lens

Macro	81301	Compact Macro Converter 1 (CMC-1, 4.5x Magnification)
	81302	Compact Macro Converter 2 (CMC-2, 2.8X Magnification)
	81501	Mid-range Focus Optimizer 1
Wideangle	83202	Wet Wide Lens 1B (WWL-1B) 130 deg. FOV with Compatible 28mm Lenses (incl. float collar)
	83203	Wet Wide Lens Compact (WWL-C) 130 deg. FOV with Compatible 24mm Lenses (incl. float collar)

*\* 38703 N50 Short Port 25 with Bayonet Mount is required for use with WWL-C/1B, MFO-1 & CMC-1/2*

**Nauticam Internationl Ltd.**

Rm 2203, CCT Telecom Bldg,  
11 Wo Shing St,  
Fo Tan,  
Hong Kong

Tel. +852 - 26902711  
Fax. +852 - 26909778  
URL. [www.nauticam.com](http://www.nauticam.com)  
Gallery. [www.nauticam.smugmug.com](http://www.nauticam.smugmug.com)